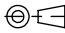
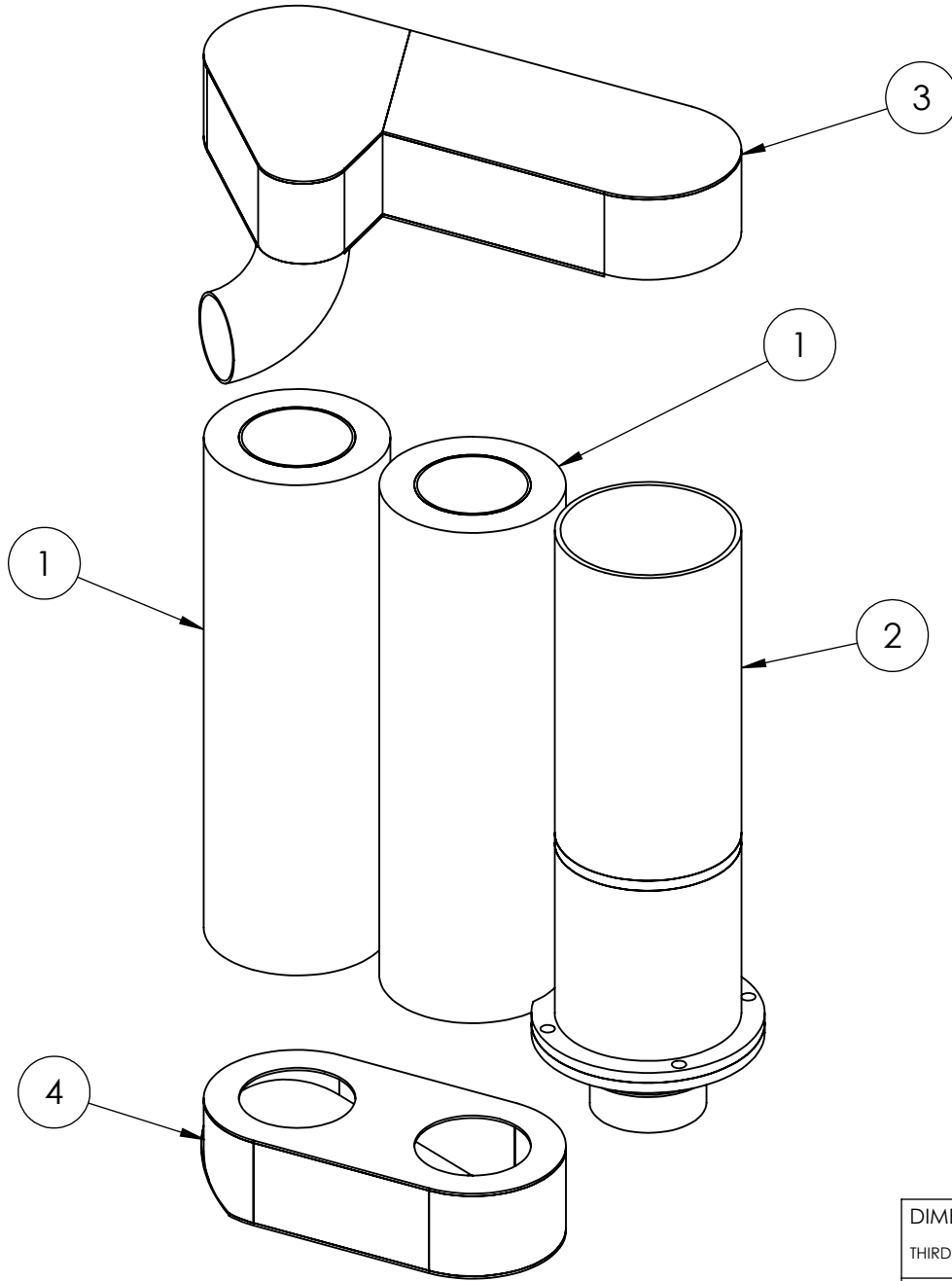


PROPRIETARY AND CONFIDENTIAL
 THE INFORMATION CONTAINED IN THIS DRAWING IS THE SOLE PROPERTY OF UNIVERSITY OF IDAHO, ME DEPARTMENT. ANY REPRODUCTION IN PART OR AS A WHOLE WITHOUT THE WRITTEN PERMISSION OF UNIVERSITY OF IDAHO, ME DEPARTMENT IS PROHIBITED.

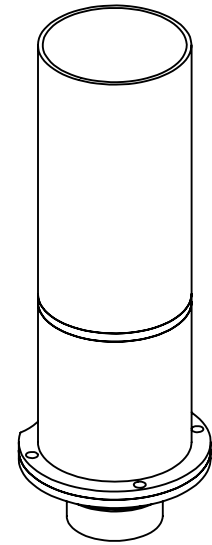
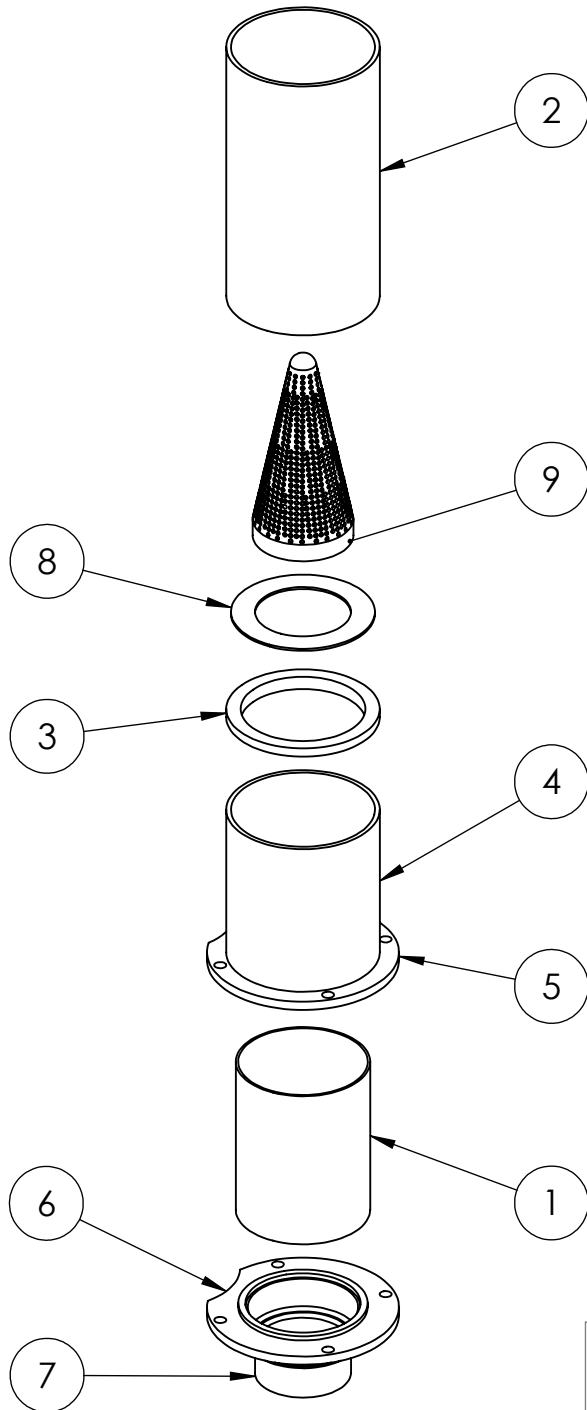
| | | | | | |
|--|---|--------------------------------|-------------------------------|-------------------|--|
| DIMENSIONS ARE IN INCHES | | Material: | | StealthCat | |
| THIRD ANGLE PROJECTION  | | | | | |
| DEFAULT TOLERANCES: | | DESCRIPTION: | | Part #: | |
| LINEAR: X. ± .25 X.X ± .1 X.XX ± .01 X.XXX ± .002 | ANGULAR: X. ± 2 X.X ± 1 X.XX ± 0.30' | CHECKED BY: ERIC BUDDRIUS | DATE: 4/14/2011 | QTY: 1 | |
| | | DRAWN BY: ERIC BUDDRIUS | DATE: 4/14/2011 | Scale: 1:6 | |
| | | FILE NAME: StealthCat Assembly | CAD Application SolidWorks | SHEET 1 OF 2 | |



| ITEM NO. | PART NAME | QTY. |
|----------|--------------------|------|
| 1 | Hushpower | 2 |
| 2 | Cat SubAssembly | 1 |
| 3 | Top SubAssembly | 1 |
| 4 | Bottom SubAssembly | 1 |

PROPRIETARY AND CONFIDENTIAL
 THE INFORMATION CONTAINED IN THIS DRAWING IS THE SOLE PROPERTY OF UNIVERSITY OF IDAHO, ME DEPARTMENT. ANY REPRODUCTION IN PART OR AS A WHOLE WITHOUT THE WRITTEN PERMISSION OF UNIVERSITY OF IDAHO, ME DEPARTMENT IS PROHIBITED.

| | | | | |
|---|---|---|--------------------|--------------|
| DIMENSIONS ARE IN INCHES | | STEEL Material: | StealthCat | |
| THIRD ANGLE PROJECTION | | | | |
| DEFAULT TOLERANCES: | | UNIVERSITY OF IDAHO ME DEPARTMENT | | |
| LINEAR: X. ± .25 X.X ± .1 X.XX ± .01 X.XXX ± .002 | ANGULAR: X. ± 2 X.X ± 1 X.XX ± 0.30' | DESCRIPTION: | DATE: | Part #: |
| | | CHECKED BY: ERIC BUDDRIUS | DATE: 4/14/2011 | QTY: 1 |
| | | DRAWN BY: | DATE: | Scale: 1:4 |
| | | FILE NAME: StealthCat Assembly Exploded | DATE: | SHEET 2 OF 2 |

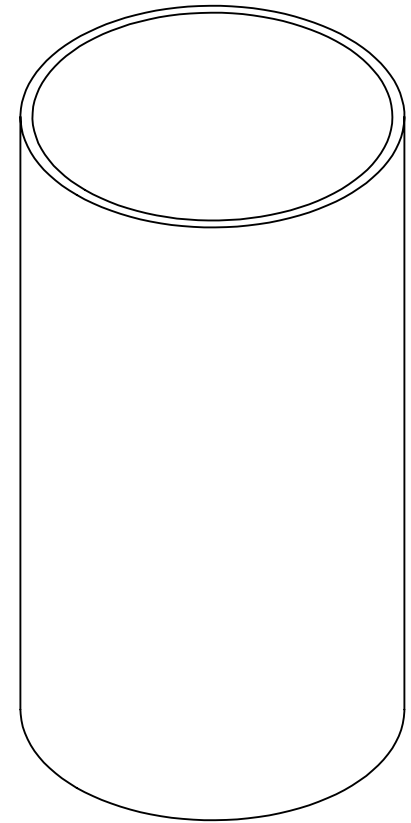
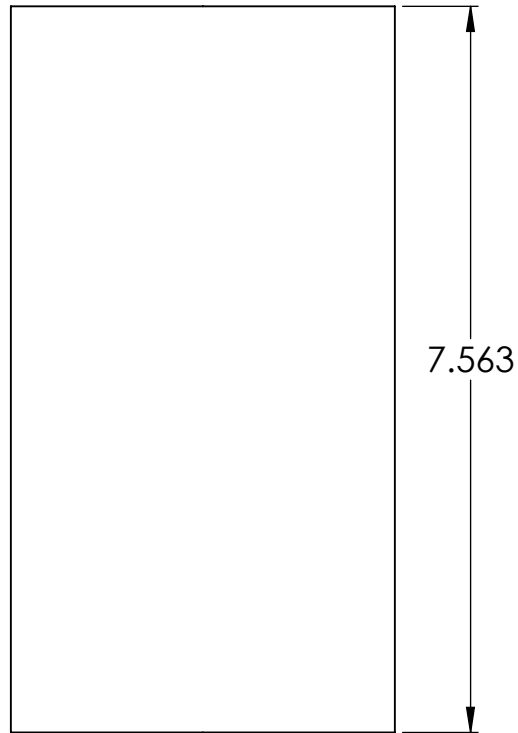
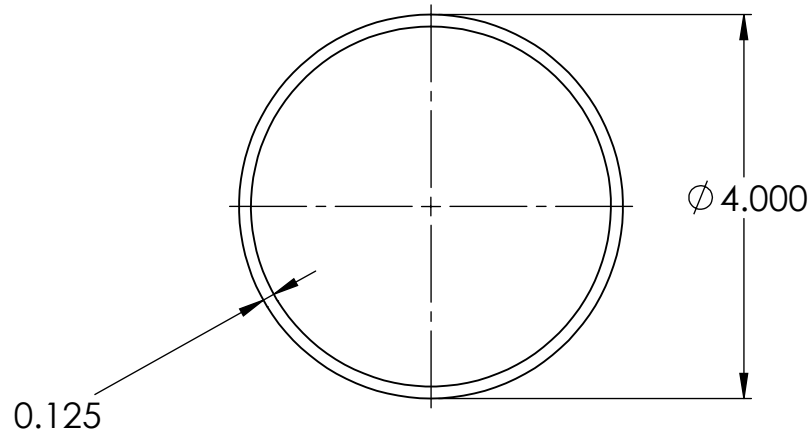


CAT SUB-ASSEMBLY

| ITEM NO. | PART NAME | DESCRIPTION | QTY. |
|----------|-----------------|--------------------|------|
| 1 | Catalyst | Aristro Donation | 1 |
| 2 | Extra Chamber | Hushpower Donation | 1 |
| 3 | Cat Upper Ring | Machined Part | 1 |
| 4 | Cat chamber | Hushpower Donation | 1 |
| 5 | Cat Bottom ring | Machined Part | 1 |
| 6 | Cat cap | Machined Part | 1 |
| 7 | Exit pipe | | 1 |
| 8 | Cone Ring | Machined Part | 1 |
| 9 | Hushpower Cone | Hushpower Donation | 1 |

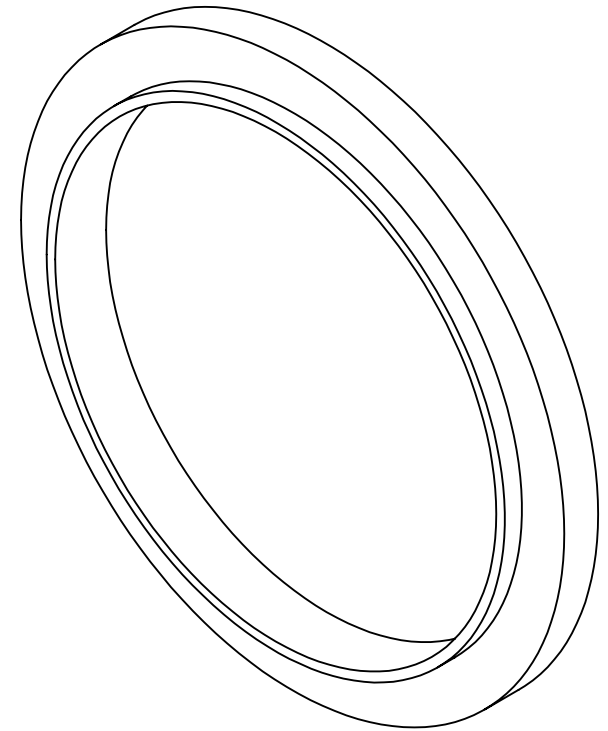
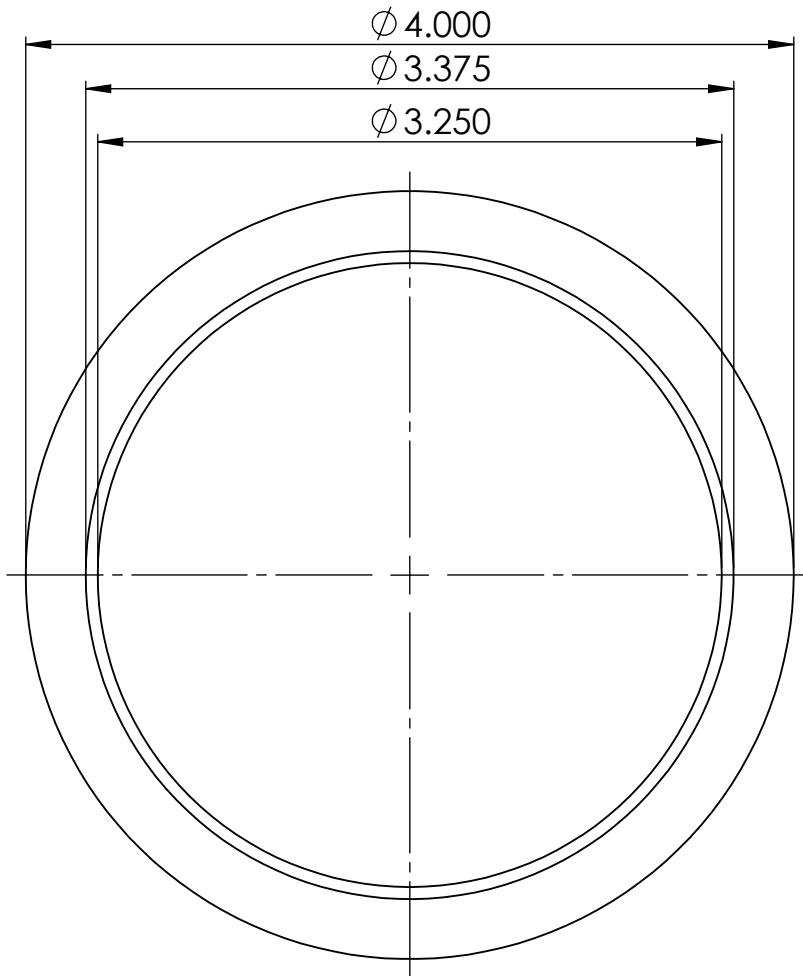
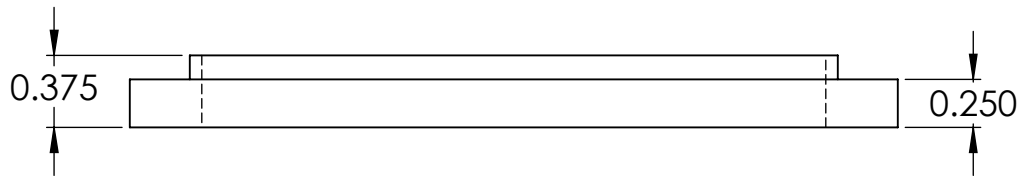
| | | | | | |
|--------------------------|---------------|----------------------------|-------------------------------|--------------------------------------|--------------|
| DIMENSIONS ARE IN INCHES | | Material: | | StealthCat | |
| THIRD ANGLE PROJECTION | | | | | |
| DEFAULT TOLERANCES: | | DESCRIPTION: | | UNIVERSITY OF IDAHO ME DEPARTMENT | |
| LINEAR: | ANGULAR: | CHECKED BY: | DATE: | Part #: | QTY: 1 |
| X: ±.25 | X: ± 2 | Eric Buddrius | 4/14/2011 | Scale: 1:5 | SHEET 1 OF 8 |
| X: X ±.1 | X: X ± 1 | DRAWN BY: | DATE: | | |
| X: XX ±.01 | X: XX ± 0.30' | FILE NAME: Cat SubAssembly | CAD Application SolidWorks | | |
| X: XXX ±.002 | | | | | |

PROPRIETARY AND CONFIDENTIAL
 THE INFORMATION CONTAINED IN THIS DRAWING IS THE SOLE PROPERTY OF UNIVERSITY OF IDAHO, ME DEPARTMENT. ANY REPRODUCTION IN PART OR AS A WHOLE WITHOUT THE WRITTEN PERMISSION OF UNIVERSITY OF IDAHO, ME DEPARTMENT IS PROHIBITED.



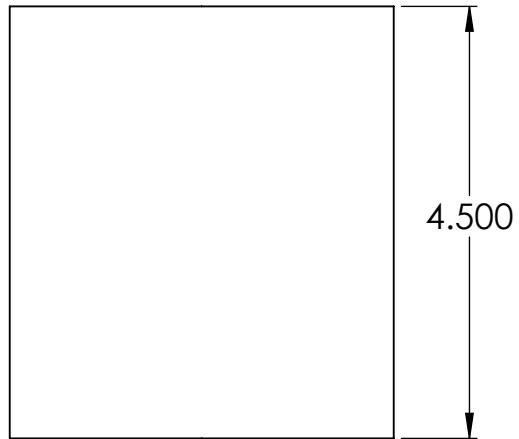
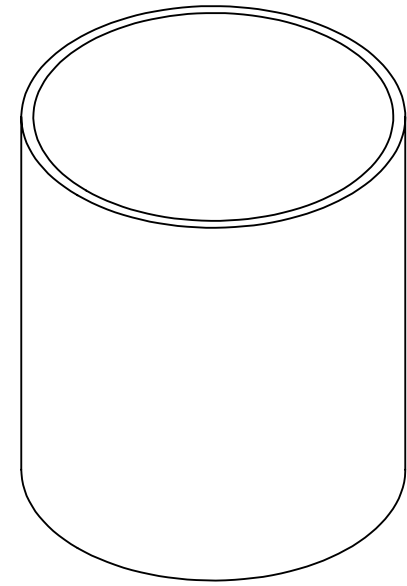
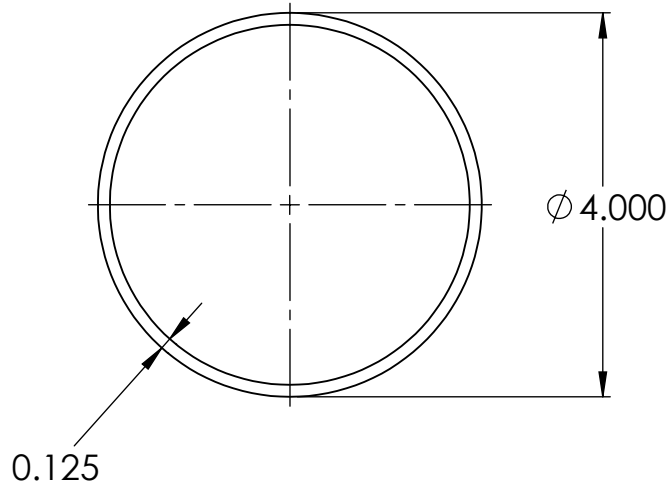
PROPRIETARY AND CONFIDENTIAL
 THE INFORMATION CONTAINED IN THIS DRAWING IS THE SOLE PROPERTY OF UNIVERSITY OF IDAHO, ME DEPARTMENT. ANY REPRODUCTION IN PART OR AS A WHOLE WITHOUT THE WRITTEN PERMISSION OF UNIVERSITY OF IDAHO, ME DEPARTMENT IS PROHIBITED.

| | | | | | |
|---|---|------------------------------|-------------------------------|--------------------------------------|--------------|
| DIMENSIONS ARE IN INCHES | | STEEL Material: | | <i>StealthCat</i> | |
| THIRD ANGLE PROJECTION | | | | | |
| DEFAULT TOLERANCES: | | DESCRIPTION: | | UNIVERSITY OF IDAHO ME DEPARTMENT | |
| LINEAR: X. ± .25 X.X ± .1 X.XX ± .01 X.XXX ± .002 | ANGULAR: X. ± 2 X.X ± 1 X.XX ± 0.30' | CHECKED BY: Eric Buddrius | DATE: 4/13/2011 | Part #: | QTY: 1 |
| | | DRAWN BY: | DATE: | Scale: 1:2 | SHEET 2 OF 8 |
| | | FILE NAME: Extra Chamber | CAO Application SolidWorks | | |



PROPRIETARY AND CONFIDENTIAL
 THE INFORMATION CONTAINED IN THIS DRAWING IS THE SOLE PROPERTY OF UNIVERSITY OF IDAHO, ME DEPARTMENT. ANY REPRODUCTION IN PART OR AS A WHOLE WITHOUT THE WRITTEN PERMISSION OF UNIVERSITY OF IDAHO, ME DEPARTMENT IS PROHIBITED.

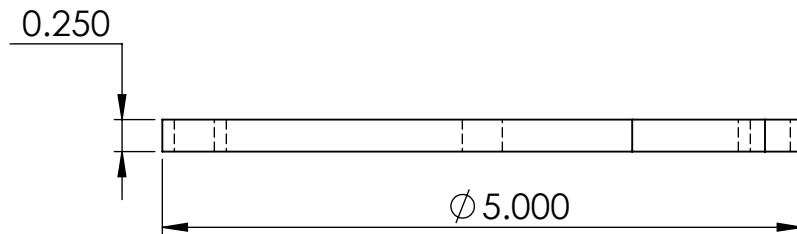
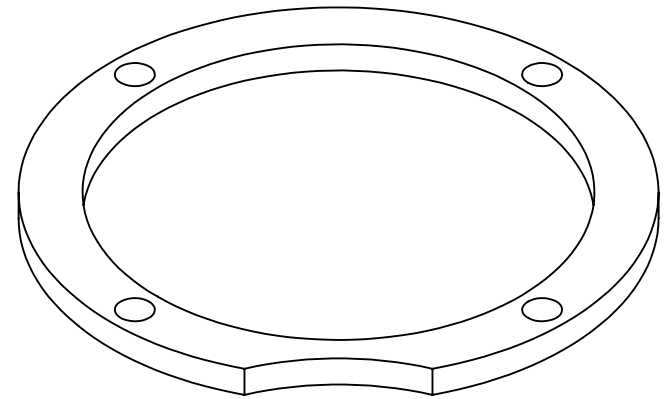
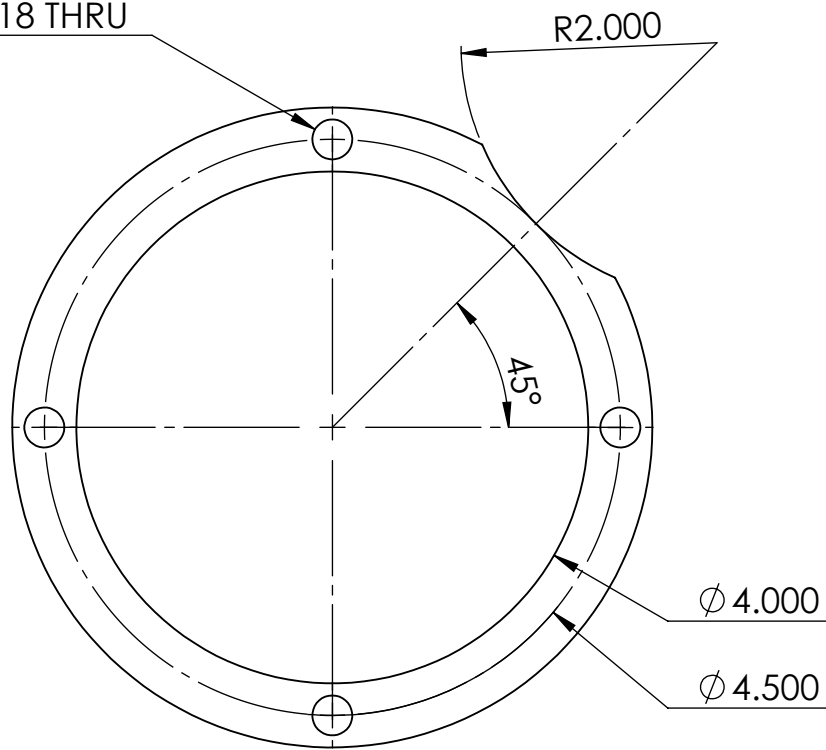
| | | | | | |
|--------------------------|--------------|---------------------------|-------------------------------|-------------------|--|
| DIMENSIONS ARE IN INCHES | | Steel Material: | | StealthCat | |
| THIRD ANGLE PROJECTION | | | | | |
| DEFAULT TOLERANCES: | | DESCRIPTION: | | DATE: | |
| LINEAR: | ANGULAR: | CHECKED BY: | DATE: | Part #: | |
| X. ± .25 | X. ± 2 | Eric Buddrius | 1/25/2011 | QTY: 1 | |
| X.X ± .1 | X.X ± 1 | DRAWN BY: | DATE: | Scale: 1:1 | |
| X.XX ± .01 | X.XX ± 0.30' | FILE NAME: Cat Upper Ring | CAO Application SolidWorks | SHEET 3 OF 8 | |
| X.XXX ± .002 | | | | | |



PROPRIETARY AND CONFIDENTIAL
 THE INFORMATION CONTAINED IN THIS DRAWING IS THE SOLE PROPERTY OF UNIVERSITY OF IDAHO, ME DEPARTMENT. ANY REPRODUCTION IN PART OR AS A WHOLE WITHOUT THE WRITTEN PERMISSION OF UNIVERSITY OF IDAHO, ME DEPARTMENT IS PROHIBITED.

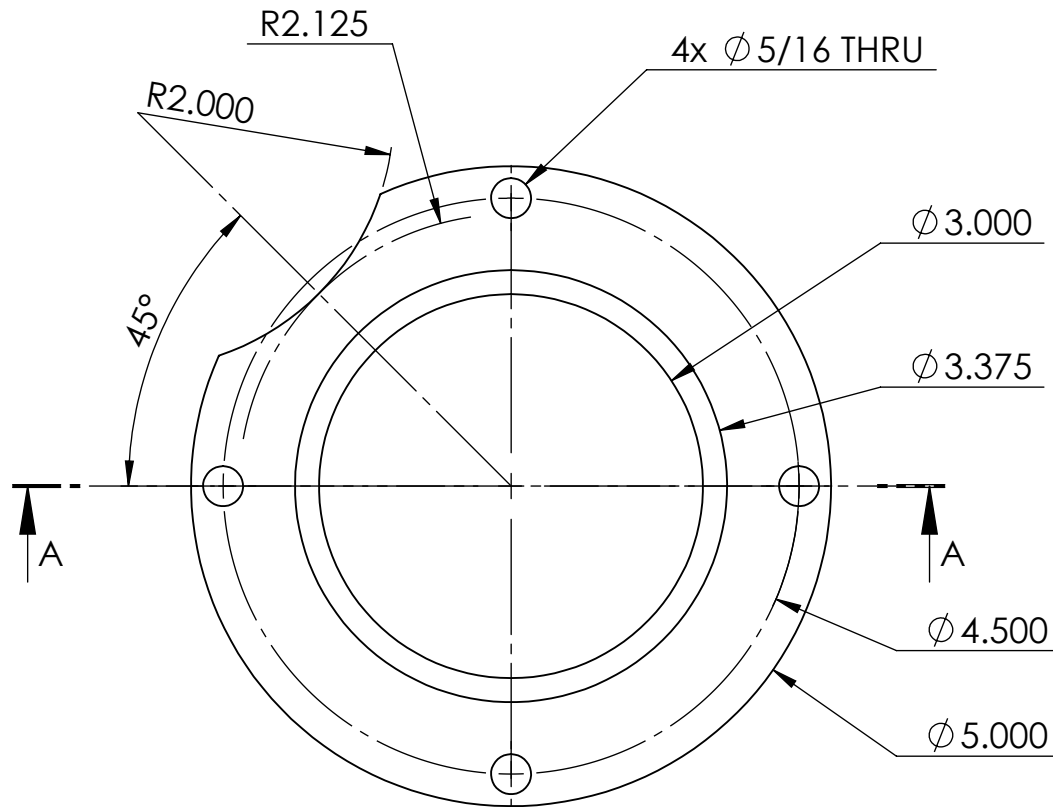
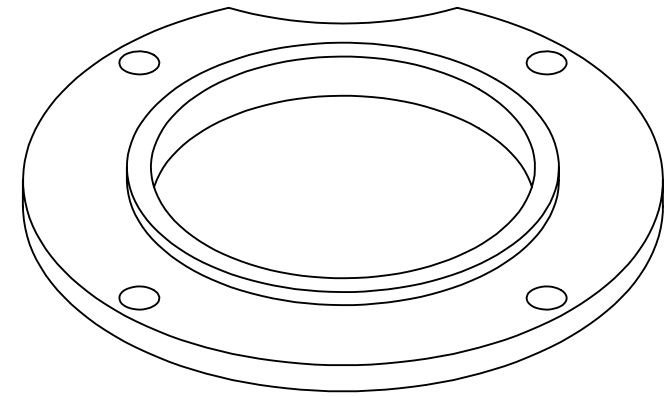
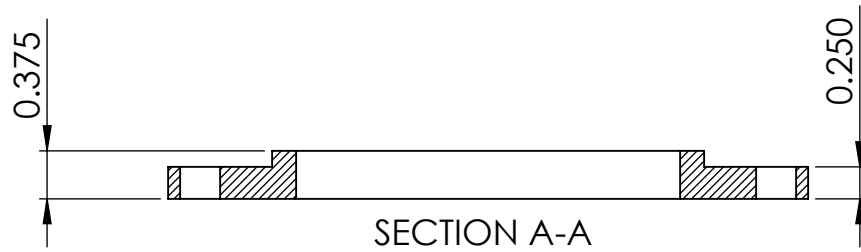
| | | | | | |
|--------------------------|--------------|------------------------|-------------------------------|--------------------------------------|--|
| DIMENSIONS ARE IN INCHES | | Steel Material: | | StealthCat | |
| THIRD ANGLE PROJECTION | | | | | |
| DEFAULT TOLERANCES: | | DESCRIPTION: | | UNIVERSITY OF IDAHO ME DEPARTMENT | |
| LINEAR: | ANGULAR: | CHECKED BY: | DATE: | Part #: | |
| X. ± .25 | X. ± 2 | Eric Buddrius | 1/21/2011 | QTY: 1 | |
| X.X ± .1 | X.X ± 1 | DRAWN BY: | DATE: | Scale: 1:2 | |
| X.XX ± .01 | X.XX ± 0.30' | FILE NAME: Cat chamber | CAO Application SolidWorks | SHEET 4 OF 8 | |
| X.XXX ± .002 | | | | | |

4x TAP 5/16-18 THRU



PROPRIETARY AND CONFIDENTIAL
 THE INFORMATION CONTAINED IN THIS DRAWING IS THE SOLE PROPERTY OF UNIVERSITY OF IDAHO, ME DEPARTMENT. ANY REPRODUCTION IN PART OR AS A WHOLE WITHOUT THE WRITTEN PERMISSION OF UNIVERSITY OF IDAHO, ME DEPARTMENT IS PROHIBITED.

| | | | | | |
|--------------------------|--------------|----------------------------|-------------------------------|-------------------|--|
| DIMENSIONS ARE IN INCHES | | Steel Material: | | StealthCat | |
| THIRD ANGLE PROJECTION | | | | | |
| DEFAULT TOLERANCES: | | DESCRIPTION: | | Part #: | |
| LINEAR: | ANGULAR: | CHECKED BY: | DATE: | QTY: 1 | |
| X. ± .25 | X. ± 2 | Eric Buddrius | 1/21/2011 | Scale: 2:3 | |
| X.X ± .1 | X.X ± 1 | DRAWN BY: | DATE: | SHEET 5 OF 8 | |
| X.XX ± .01 | X.XX ± 0.30' | FILE NAME: Cat Bottom ring | CAO Application SolidWorks | | |
| X.XXX ± .002 | | | | | |

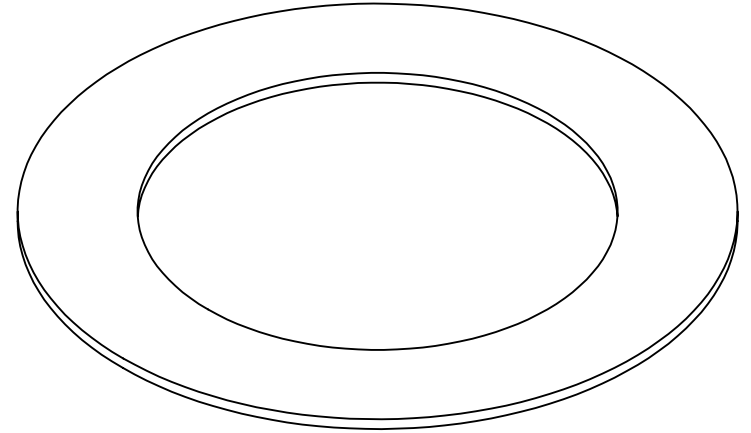
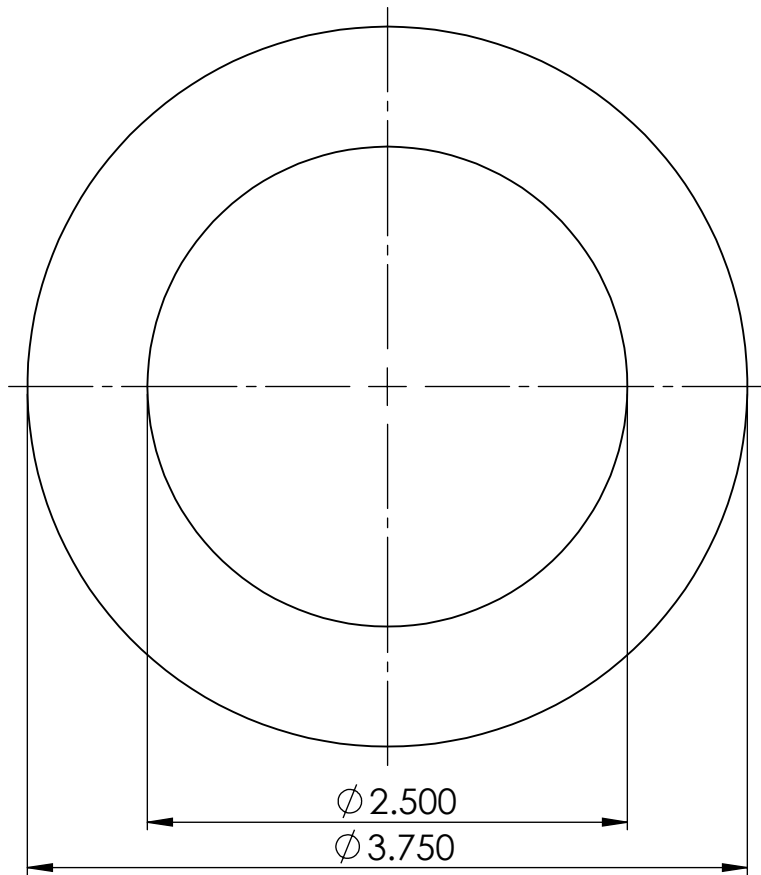


| | | | | | |
|--------------------------------------|--|--------------------|--|-------------------------------|------------|
| DIMENSIONS ARE IN INCHES | | Steel Material: | | StealthCat | |
| THIRD ANGLE PROJECTION | | | | | |
| UNIVERSITY OF IDAHO ME DEPARTMENT | | DESCRIPTION: | | DATE: | Part #: |
| DATE: | | CHECKED BY: | | DATE: | |
| QTY: 1 | | DRAWN BY: | | DATE: | Scale: 2:3 |
| SHEET 6 OF 8 | | FILE NAME: Cat cap | | CAO Application SolidWorks | |

PROPRIETARY AND CONFIDENTIAL
 THE INFORMATION CONTAINED IN THIS DRAWING IS THE SOLE PROPERTY OF UNIVERSITY OF IDAHO, ME DEPARTMENT. ANY REPRODUCTION IN PART OR AS A WHOLE WITHOUT THE WRITTEN PERMISSION OF UNIVERSITY OF IDAHO, ME DEPARTMENT IS PROHIBITED.

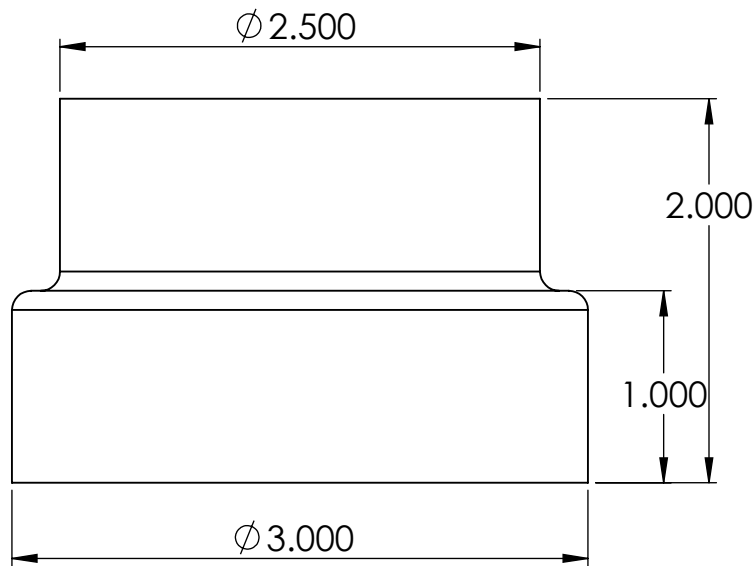
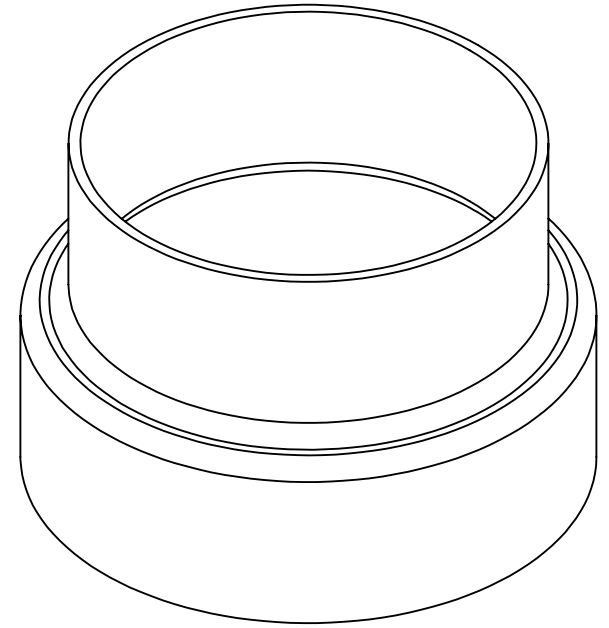
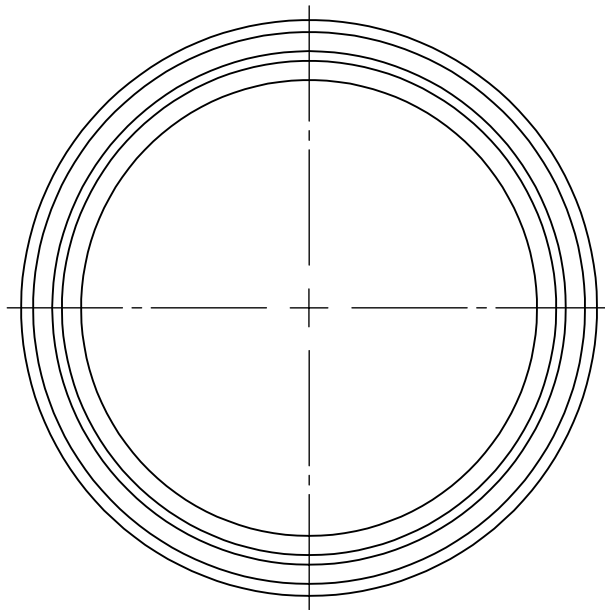
DEFAULT TOLERANCES:
 LINEAR:
 X. ± .25
 X.X ± .1
 X.XX ± .01
 X.XXX ± .002
 ANGULAR:
 X. ± 2
 X.X ± 1
 X.XX ± 0.30°

DATE: 1/25/2011
 CHECKED BY: Eric Buddrius
 DRAWN BY: Eric Buddrius



PROPRIETARY AND CONFIDENTIAL
 THE INFORMATION CONTAINED IN THIS DRAWING IS THE SOLE PROPERTY OF UNIVERSITY OF IDAHO, ME DEPARTMENT. ANY REPRODUCTION IN PART OR AS A WHOLE WITHOUT THE WRITTEN PERMISSION OF UNIVERSITY OF IDAHO, ME DEPARTMENT IS PROHIBITED.

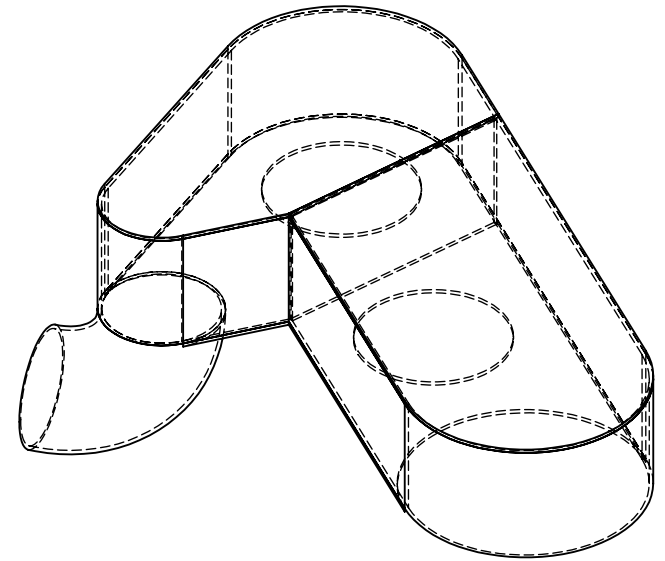
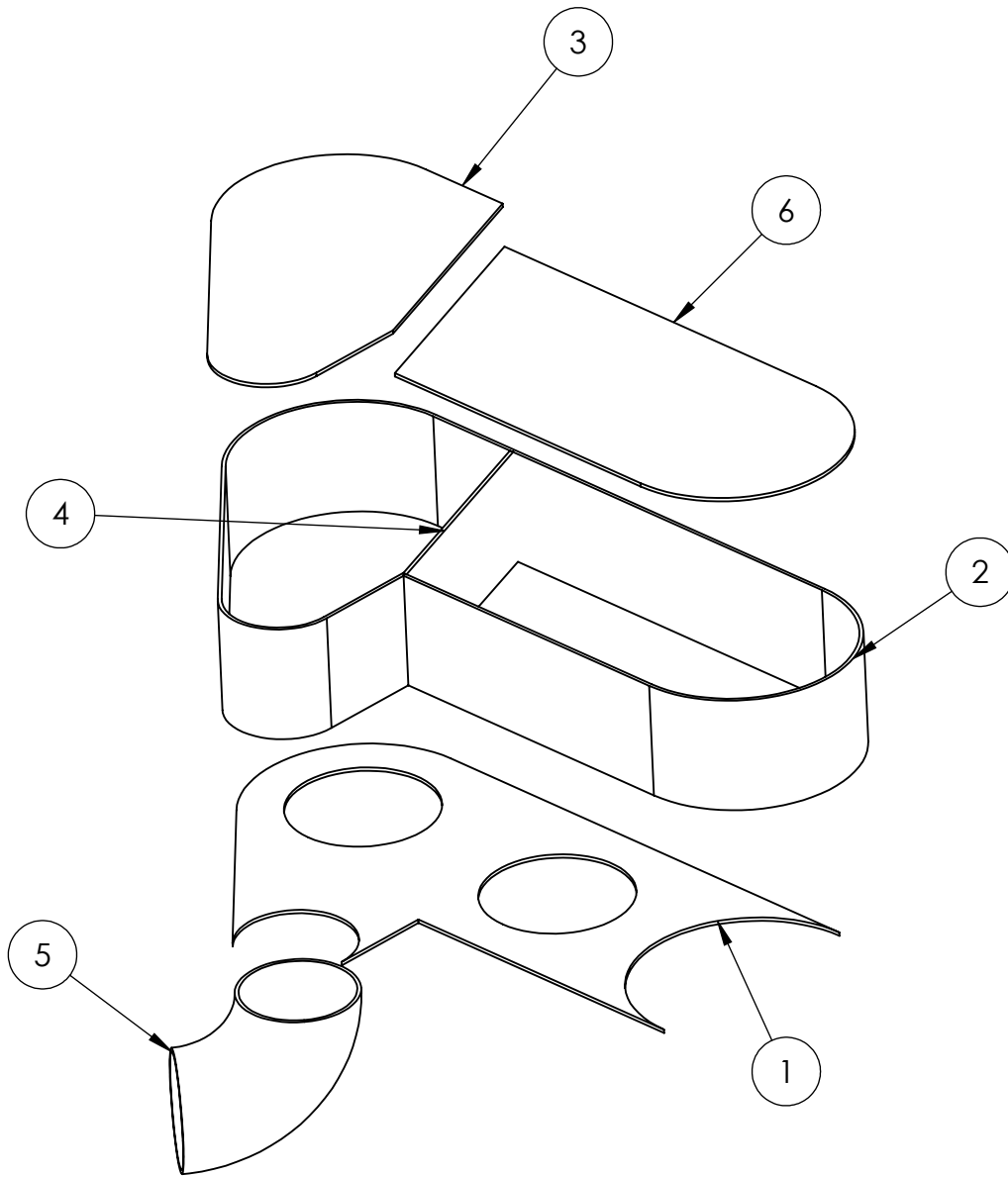
| | | | | | |
|--------------------------|--------------|----------------------|-------------------------------|--------------------------------------|--------------|
| DIMENSIONS ARE IN INCHES | | STEEL Material: | | StealthCat | |
| THIRD ANGLE PROJECTION | | | | | |
| DEFAULT TOLERANCES: | | Machined Part | | UNIVERSITY OF IDAHO ME DEPARTMENT | |
| LINEAR: | ANGULAR: | DESCRIPTION: | DATE: | Part #: | QTY: 1 |
| X. ± .25 | X. ± 2 | CHECKED BY: | 4/14/2011 | | |
| X.X ± .1 | X.X ± 1 | ERIC BUDDRIUS | DATE: | | |
| X.XX ± .01 | X.XX ± 0.30' | DRAWN BY: | | | |
| X.XXX ± .002 | | FILE NAME: Cone Ring | CAO Application SolidWorks | Scale: 1:1 | SHEET 7 OF 8 |



NOTE: EXPANDED EXHAUST PIPE

PROPRIETARY AND CONFIDENTIAL
 THE INFORMATION CONTAINED IN THIS DRAWING IS THE SOLE PROPERTY OF UNIVERSITY OF IDAHO, ME DEPARTMENT. ANY REPRODUCTION IN PART OR AS A WHOLE WITHOUT THE WRITTEN PERMISSION OF UNIVERSITY OF IDAHO, ME DEPARTMENT IS PROHIBITED.

| | | | | | |
|--------------------------|--------------|----------------------|-------------------------------|--------------------------------------|--------------|
| DIMENSIONS ARE IN INCHES | | STEEL Material: | | StealthCat | |
| THIRD ANGLE PROJECTION | | | | | |
| DEFAULT TOLERANCES: | | DESCRIPTION: | | UNIVERSITY OF IDAHO ME DEPARTMENT | |
| LINEAR: | ANGULAR: | CHECKED BY: | DATE: | Part #: | QTY: 1 |
| X. ± .25 | X. ± 2 | ERIC BUDDRIUS | 4/14/2011 | Scale: 1:1 | SHEET 8 OF 8 |
| X.X ± .1 | X.X ± 1 | DRAWN BY: | DATE: | | |
| X.XX ± .01 | X.XX ± 0.30' | FILE NAME: Exit pipe | CAD Application SolidWorks | | |
| X.XXX ± .002 | | | | | |

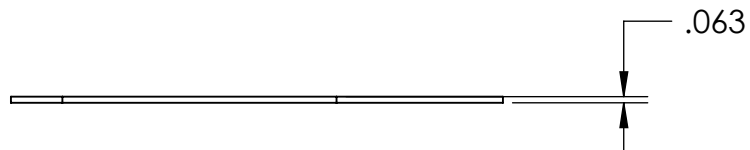
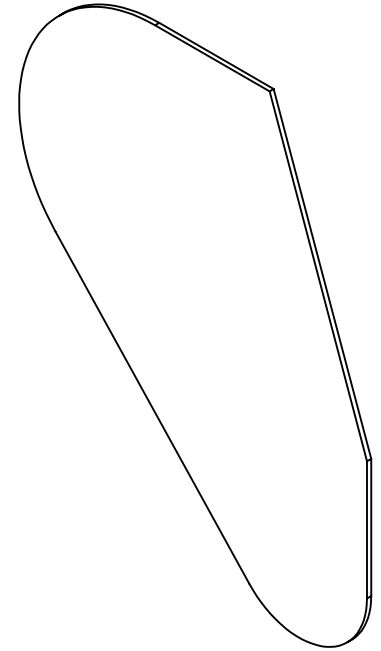
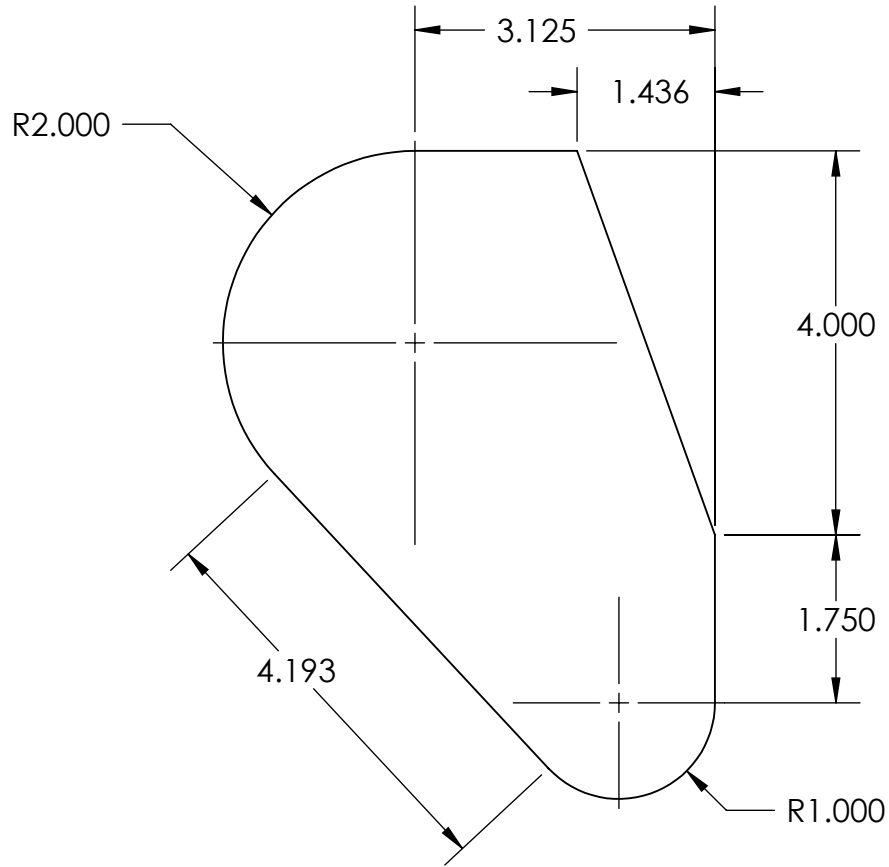


TOP SUB-ASSEMBLY

| ITEM NO. | PART NAME | QTY. |
|----------|------------|------|
| 1 | Top spacer | 1 |
| 2 | Top band | 1 |
| 3 | Top 1 | 1 |
| 4 | Top Baffle | 1 |
| 5 | Inlet pipe | 1 |
| 6 | Top 2 | 1 |

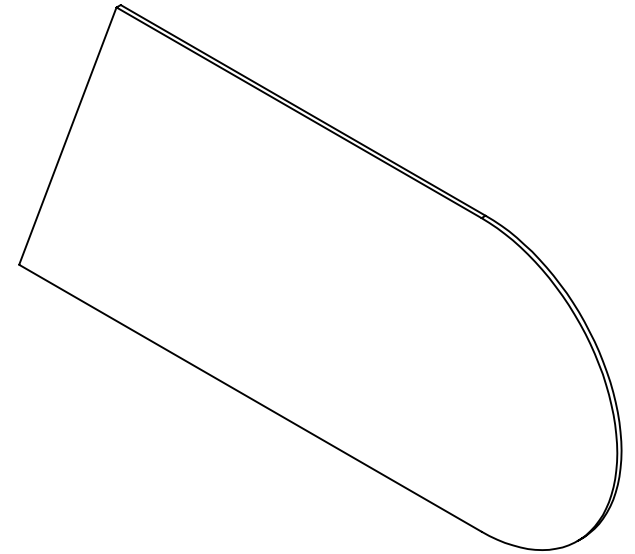
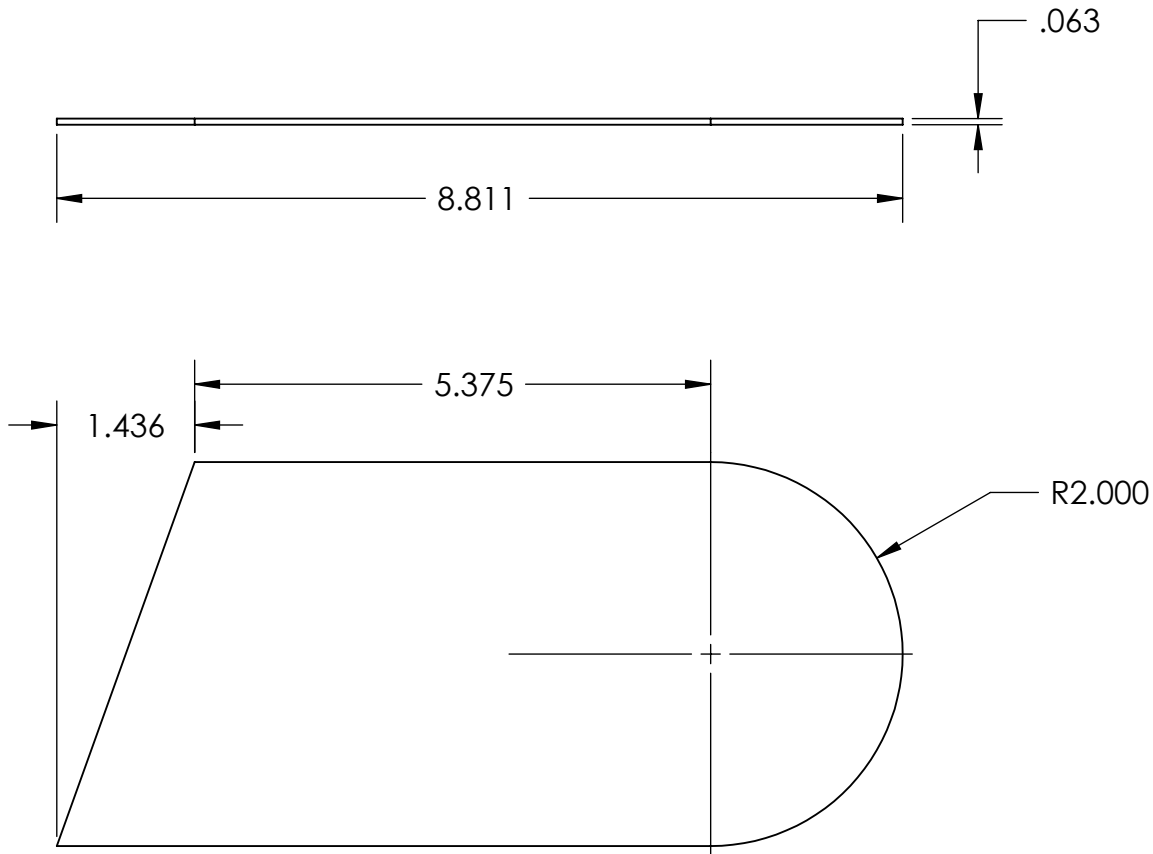
| | | | | | |
|--------------------------|--------------|----------------------------|-------------------------------|------------|-------------------|
| DIMENSIONS ARE IN INCHES | | THIRD ANGLE PROJECTION | | Material: | StealthCat |
| DEFAULT TOLERANCES: | | DESCRIPTION: | | DATE: | |
| LINEAR: | ANGULAR: | CHECKED BY: | DATE: | Part #: | QTY: 1 |
| X. ± .25 | X. ± 2 | Eric Buddrius | 4/14/2011 | Scale: 1:3 | SHEET 1 OF 6 |
| X.X ± .1 | X.X ± 1 | DRAWN BY: | DATE: | | |
| X.XX ± .01 | X.XX ± 0.30' | FILE NAME: Top SubAssembly | CAD Application SolidWorks | | |
| X.XXX ± .002 | | | | | |

PROPRIETARY AND CONFIDENTIAL
 THE INFORMATION CONTAINED IN THIS DRAWING IS THE SOLE PROPERTY OF UNIVERSITY OF IDAHO, ME DEPARTMENT. ANY REPRODUCTION IN PART OR AS A WHOLE WITHOUT THE WRITTEN PERMISSION OF UNIVERSITY OF IDAHO, ME DEPARTMENT IS PROHIBITED.



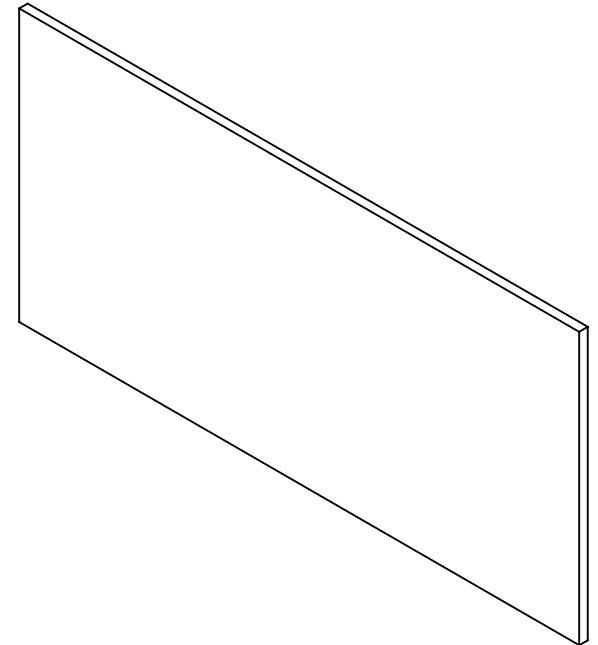
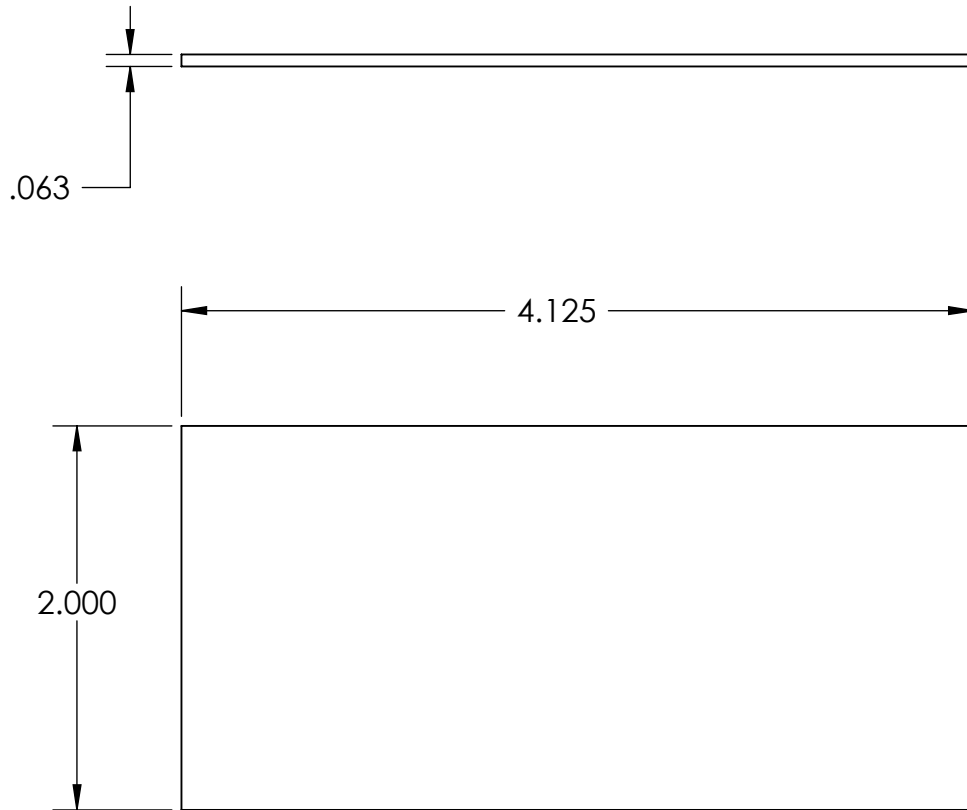
PROPRIETARY AND CONFIDENTIAL
 THE INFORMATION CONTAINED IN THIS DRAWING IS THE SOLE PROPERTY OF UNIVERSITY OF IDAHO, ME DEPARTMENT. ANY REPRODUCTION IN PART OR AS A WHOLE WITHOUT THE WRITTEN PERMISSION OF UNIVERSITY OF IDAHO, ME DEPARTMENT IS PROHIBITED.

| | | | | | |
|---|---|------------------------------|-------------------------------|--------------------------------------|--------------|
| DIMENSIONS ARE IN INCHES | | Steel Material: | | StealthCat | |
| THIRD ANGLE PROJECTION | | | | | |
| DEFAULT TOLERANCES: | | DESCRIPTION: | | UNIVERSITY OF IDAHO ME DEPARTMENT | |
| LINEAR: X. ± .25 X.X ± .1 X.XX ± .01 X.XXX ± .002 | ANGULAR: X. ± 2 X.X ± 1 X.XX ± 0 30' | CHECKED BY: Eric Buddrius | DATE: 4/13/2011 | Part #: | QTY: 1 |
| | | DRAWN BY: | DATE: | Scale: 1:2 | SHEET 2 OF 6 |
| | | FILE NAME: Top 1 | CAO Application SolidWorks | | |



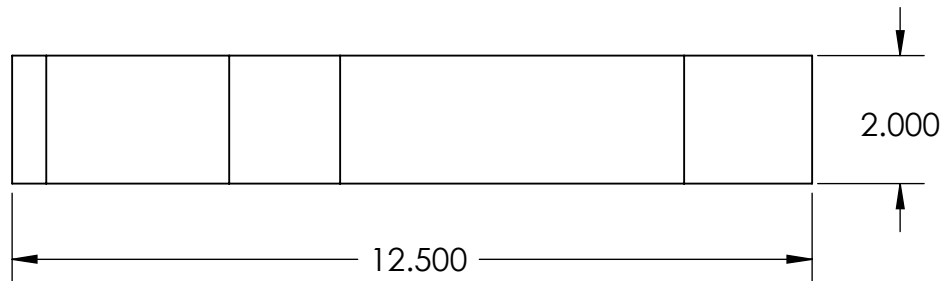
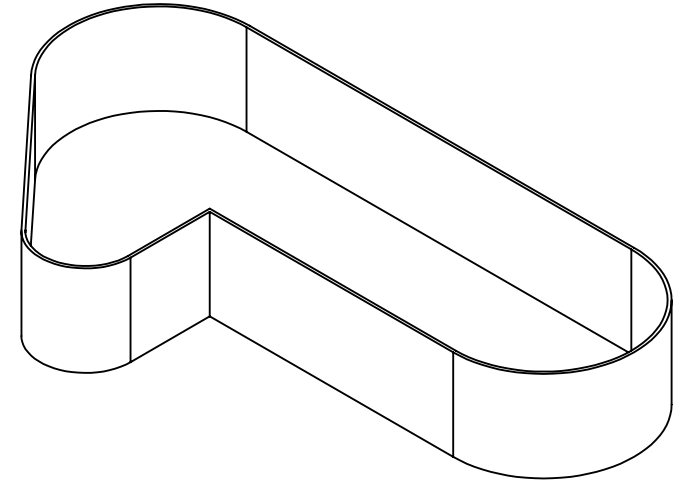
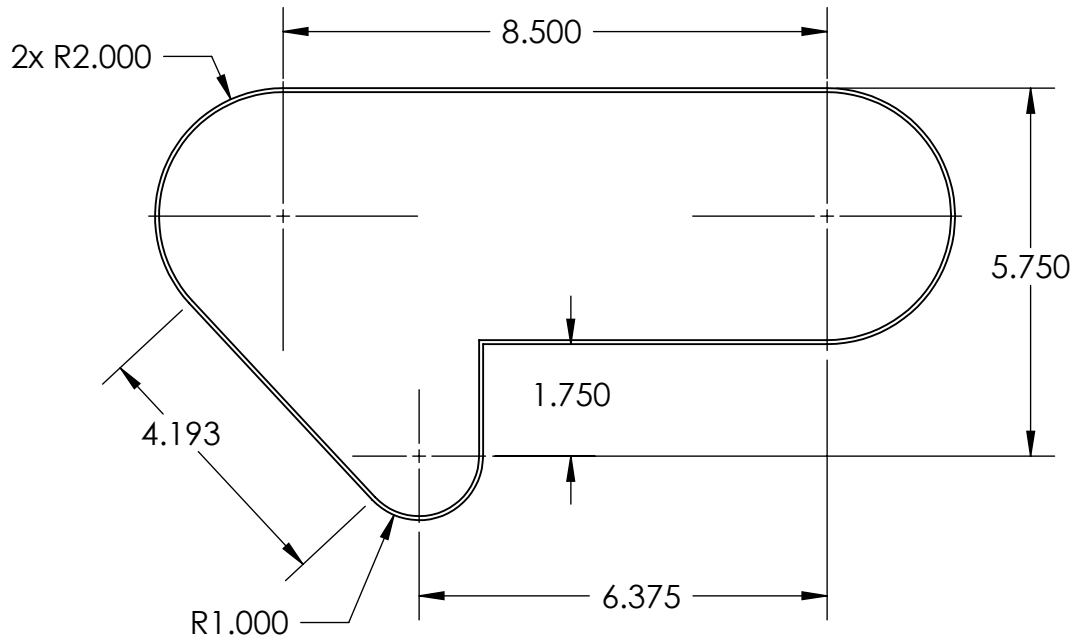
PROPRIETARY AND CONFIDENTIAL
 THE INFORMATION CONTAINED IN THIS DRAWING IS THE SOLE PROPERTY OF UNIVERSITY OF IDAHO, ME DEPARTMENT. ANY REPRODUCTION IN PART OR AS A WHOLE WITHOUT THE WRITTEN PERMISSION OF UNIVERSITY OF IDAHO, ME DEPARTMENT IS PROHIBITED.

| | | | | | |
|--------------------------|--------------|--------------------|-------------------------------|--------------------------------------|--|
| DIMENSIONS ARE IN INCHES | | Steel Material: | | StealthCat | |
| THIRD ANGLE PROJECTION | | | | | |
| DEFAULT TOLERANCES: | | DESCRIPTION: | | UNIVERSITY OF IDAHO ME DEPARTMENT | |
| LINEAR: | ANGULAR: | CHECKED BY: | DATE: | Part #: | |
| X. ± .25 | X. ± 2 | Eric Buddrius | 4/13/2011 | QTY: 1 | |
| X.X ± .1 | X.X ± 1 | DRAWN BY: | DATE: | Scale: 1:2 | |
| X.XX ± .01 | X.XX ± 0.30' | FILE NAME: Top 2 | CAO Application SolidWorks | SHEET 3 OF 6 | |
| X.XXX ± .002 | | | | | |



PROPRIETARY AND CONFIDENTIAL
 THE INFORMATION CONTAINED IN THIS DRAWING IS THE SOLE PROPERTY OF UNIVERSITY OF IDAHO, ME DEPARTMENT. ANY REPRODUCTION IN PART OR AS A WHOLE WITHOUT THE WRITTEN PERMISSION OF UNIVERSITY OF IDAHO, ME DEPARTMENT IS PROHIBITED.

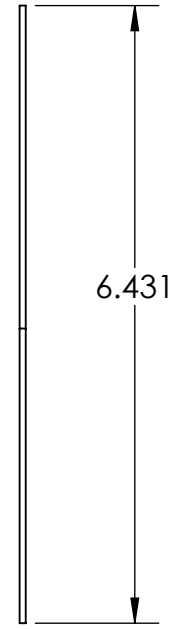
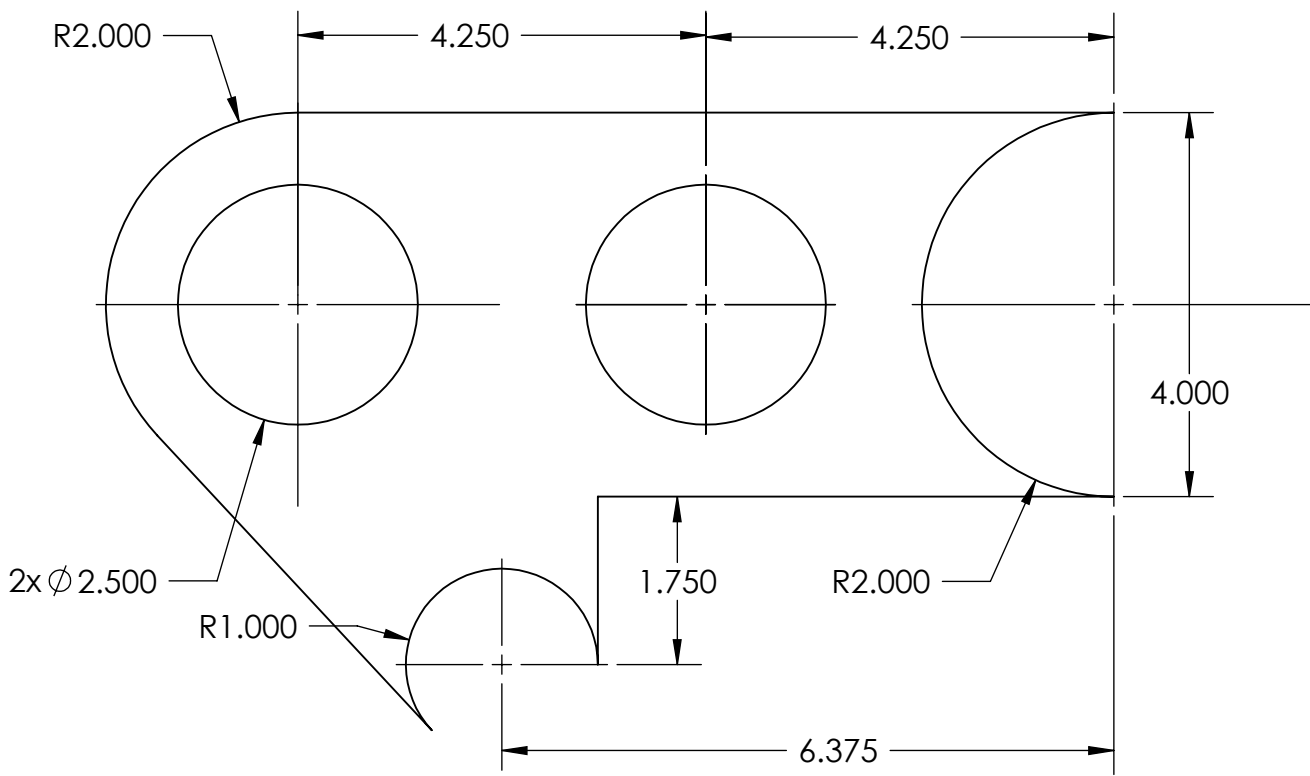
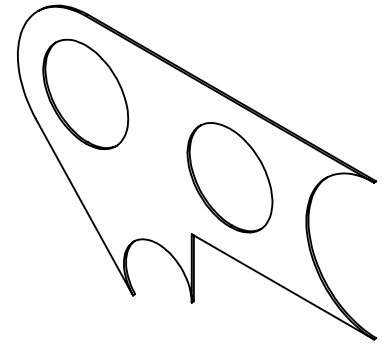
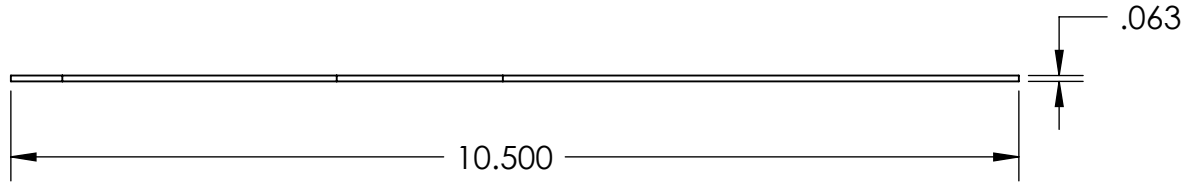
| | | | | | |
|--------------------------|--------------|-----------------------|-------------------------------|--------------------------------------|--------------|
| DIMENSIONS ARE IN INCHES | | STEEL Material: | | <i>StealthCat</i> | |
| THIRD ANGLE PROJECTION | | | | | |
| DEFAULT TOLERANCES: | | DESCRIPTION: | | UNIVERSITY OF IDAHO ME DEPARTMENT | |
| LINEAR: | ANGULAR: | CHECKED BY: | DATE: | Part #: | QTY: 1 |
| X. ± .25 | X. ± 2 | Eric Buddrius | 4/13/2011 | Scale: 1:1 | SHEET 4 OF 6 |
| X.X ± .1 | X.X ± 1 | DRAWN BY: | DATE: | | |
| X.XX ± .01 | X.XX ± 0.30' | FILE NAME: Top Baffle | CAO Application SolidWorks | | |
| X.XXX ± .002 | | | | | |



NOTE: Thickness 1/16"

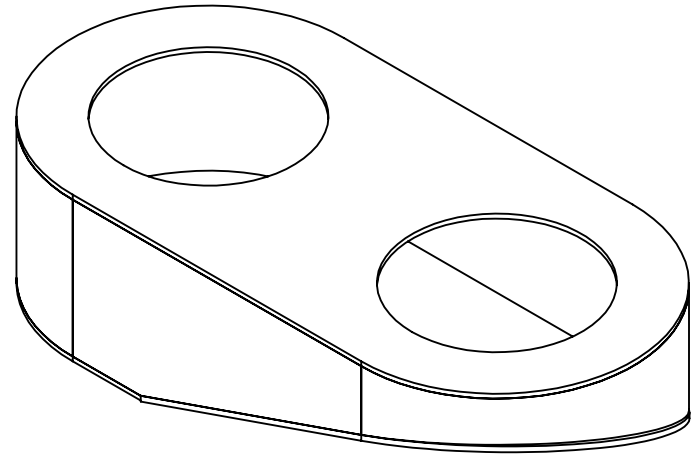
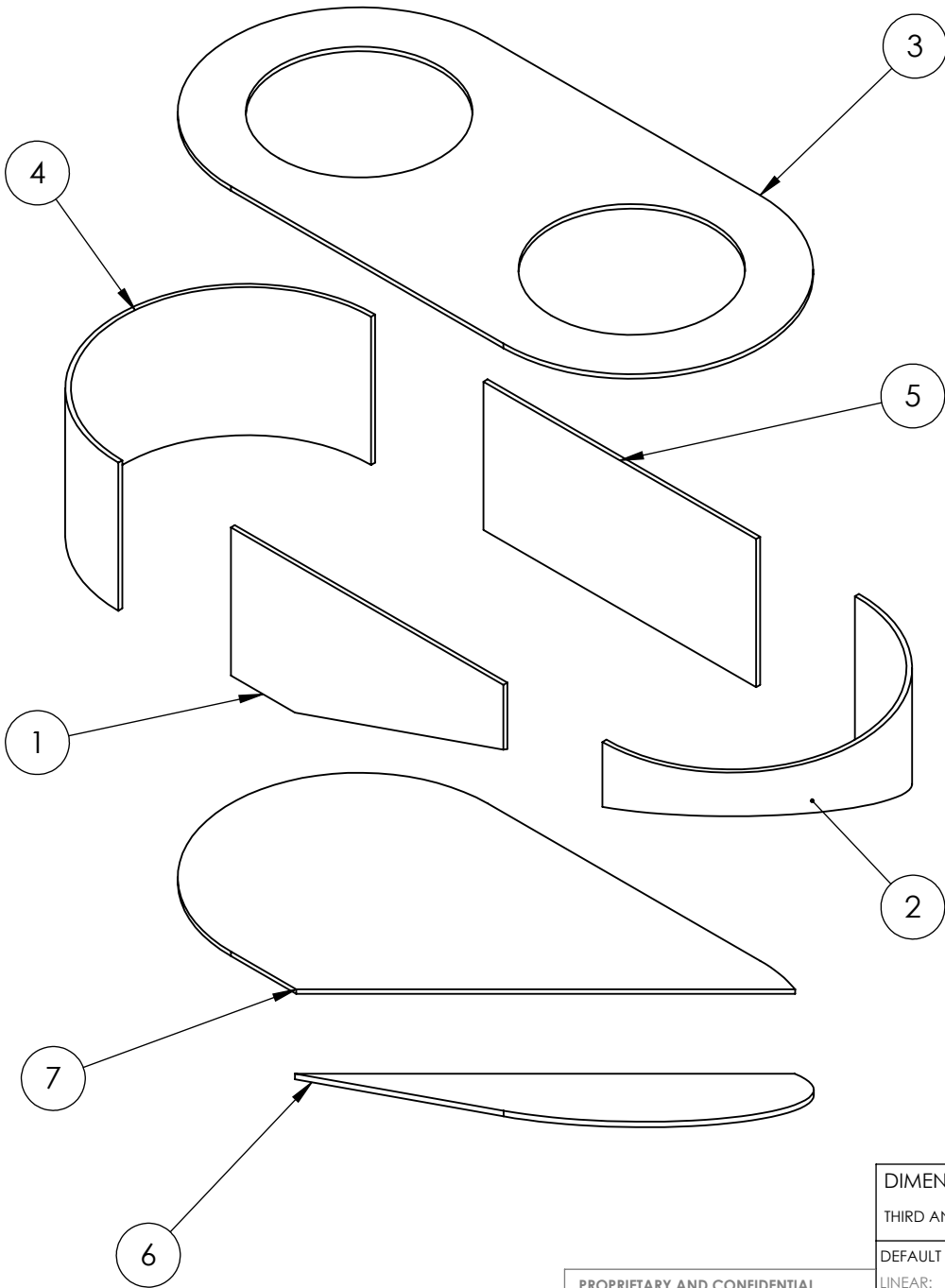
PROPRIETARY AND CONFIDENTIAL
 THE INFORMATION CONTAINED IN THIS DRAWING IS THE SOLE PROPERTY OF UNIVERSITY OF IDAHO, ME DEPARTMENT. ANY REPRODUCTION IN PART OR AS A WHOLE WITHOUT THE WRITTEN PERMISSION OF UNIVERSITY OF IDAHO, ME DEPARTMENT IS PROHIBITED.

| | | | | | |
|---|---|------------------------------|-------------------------------|--------------------------------------|--------------|
| DIMENSIONS ARE IN INCHES | | Steel Material: | | StealthCat | |
| THIRD ANGLE PROJECTION | | | | | |
| DEFAULT TOLERANCES: | | DESCRIPTION: | | UNIVERSITY OF IDAHO ME DEPARTMENT | |
| LINEAR: X. ± .25 X.X ± .1 X.XX ± .01 X.XXX ± .002 | ANGULAR: X. ± 2 X.X ± 1 X.XX ± 0.30' | CHECKED BY: Eric Buddrius | DATE: 1/21/2011 | Part #: | QTY: 1 |
| | | DRAWN BY: | DATE: | Scale: 1:3 | SHEET 5 OF 6 |
| | | FILE NAME: Top band | CAO Application SolidWorks | | |



PROPRIETARY AND CONFIDENTIAL
 THE INFORMATION CONTAINED IN THIS DRAWING IS THE SOLE PROPERTY OF UNIVERSITY OF IDAHO, ME DEPARTMENT. ANY REPRODUCTION IN PART OR AS A WHOLE WITHOUT THE WRITTEN PERMISSION OF UNIVERSITY OF IDAHO, ME DEPARTMENT IS PROHIBITED.

| | | | | | |
|--------------------------|--------------|-----------------------|-------------------------------|--------------------------------------|--------------|
| DIMENSIONS ARE IN INCHES | | Steel Material: | | StealthCat | |
| THIRD ANGLE PROJECTION | | | | | |
| DEFAULT TOLERANCES: | | DESCRIPTION: | | UNIVERSITY OF IDAHO ME DEPARTMENT | |
| LINEAR: | ANGULAR: | CHECKED BY: | DATE: | Part #: | QTY: 1 |
| X. ± .25 | X. ± 2 | Eric Buddrius | 4/13/2011 | | |
| X.X ± .1 | X.X ± 1 | DRAWN BY: | DATE: | Scale: 1:2 | SHEET 6 OF 6 |
| X.XX ± .01 | X.XX ± 0.30' | FILE NAME: Top spacer | CAD Application SolidWorks | | |
| X.XXX ± .002 | | | | | |

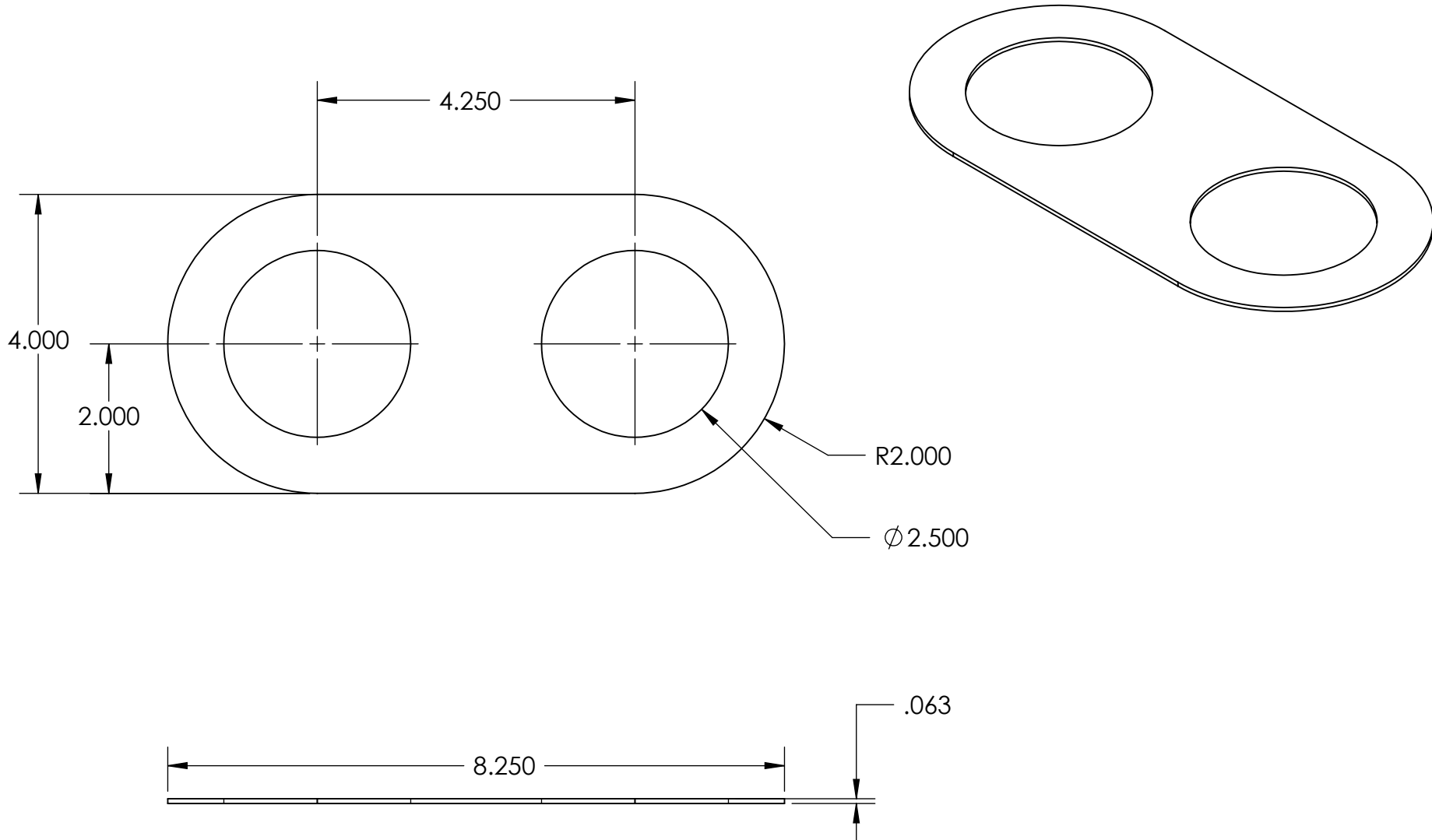


BOTTOM SUB-ASSEMBLY

| ITEM NO. | PART NAME | QTY. |
|----------|---------------|------|
| 1 | Bottom Band 1 | 1 |
| 2 | Bottom Band 2 | 1 |
| 3 | Bottom spacer | 1 |
| 4 | Bottom Band 4 | 1 |
| 5 | Bottom Band 3 | 1 |
| 6 | Bottom 2 | 1 |
| 7 | Bottom 1 | 1 |

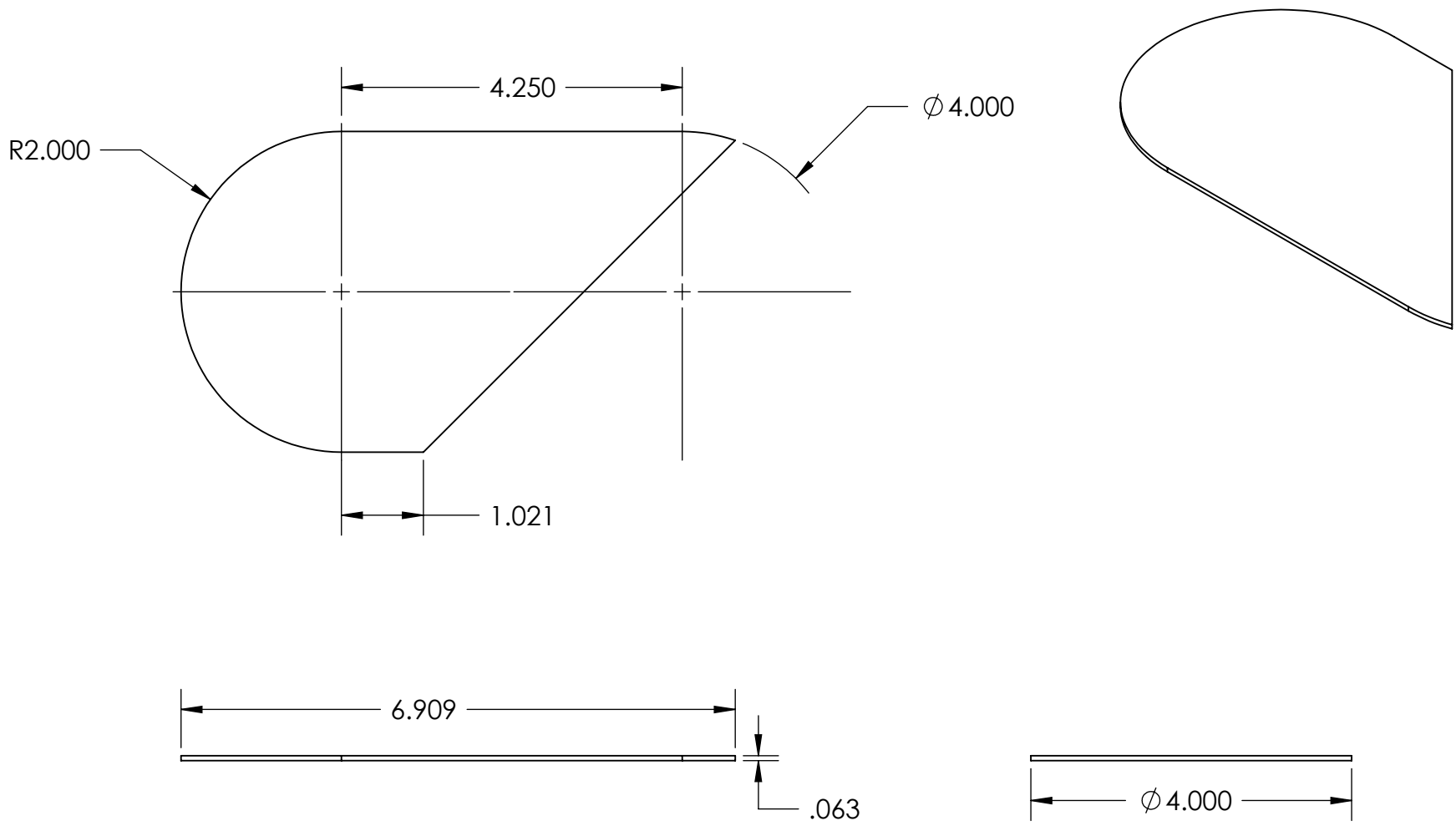
| | | | | | | | |
|--------------------------|--------------|-------------------------------|--|-------------------------------|--|--------------------------------------|--|
| DIMENSIONS ARE IN INCHES | | THIRD ANGLE PROJECTION | | Material: | | StealthCat | |
| DEFAULT TOLERANCES: | | DESCRIPTION: | | DATE: | | | |
| LINEAR: | ANGULAR: | CHECKED BY: | | DATE: | | UNIVERSITY OF IDAHO ME DEPARTMENT | |
| X. ± .25 | X. ± 2 | ERIC BUDDRIUS | | 4/14/2011 | | | |
| X.X ± .1 | X.X ± 1 | DRAWN BY: | | DATE: | | Part #: | |
| X.XX ± .01 | X.XX ± 0.30' | FILE NAME: BOTTOM SUBASSEMBLY | | CAD Application SolidWorks | | QTY: 1 | |
| X.XXX ± .002 | | | | | | Scale: 1:2 | |
| | | | | | | SHEET 1 OF 8 | |

PROPRIETARY AND CONFIDENTIAL
 THE INFORMATION CONTAINED IN THIS DRAWING IS THE SOLE PROPERTY OF UNIVERSITY OF IDAHO, ME DEPARTMENT. ANY REPRODUCTION IN PART OR AS A WHOLE WITHOUT THE WRITTEN PERMISSION OF UNIVERSITY OF IDAHO, ME DEPARTMENT IS PROHIBITED.



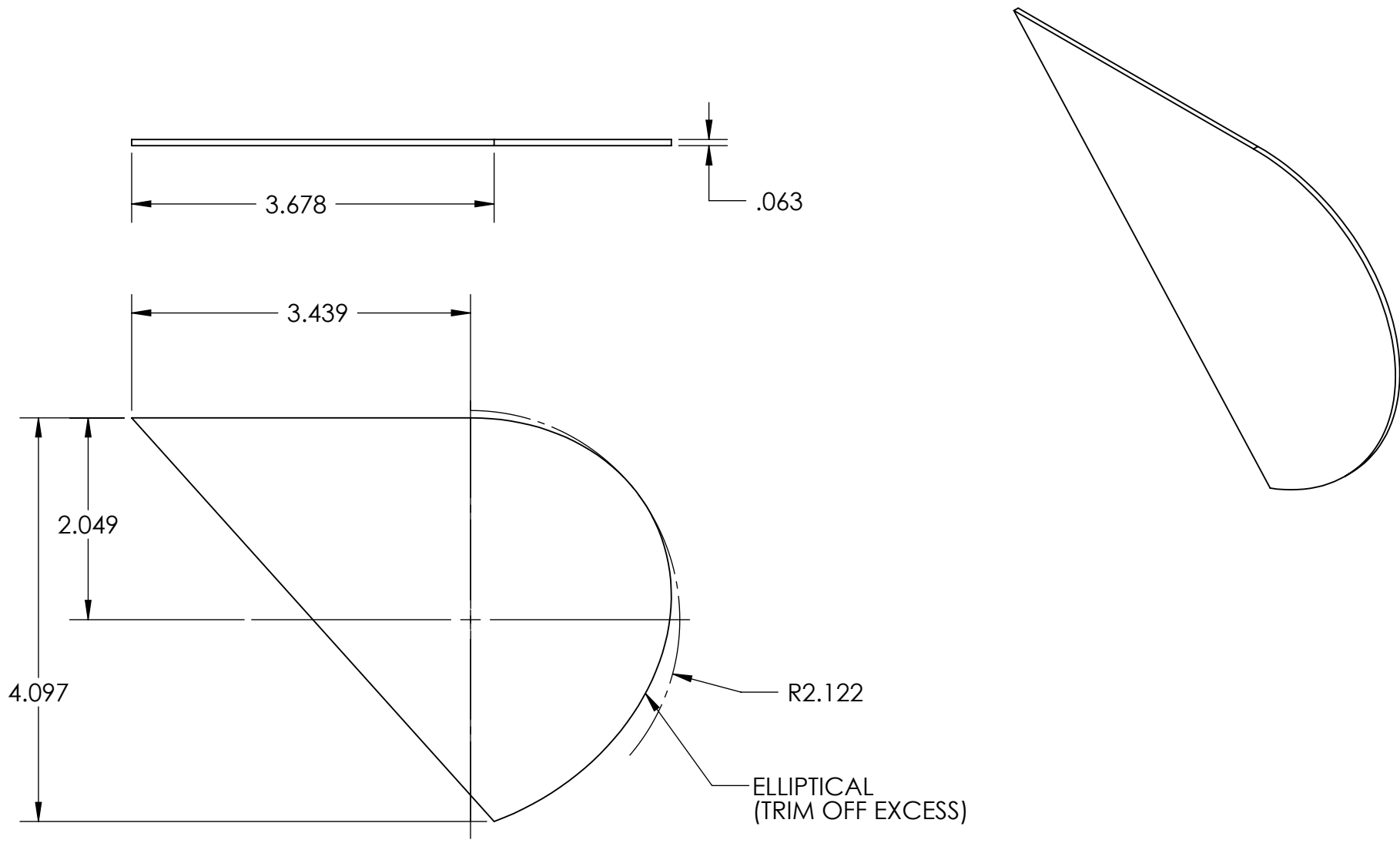
PROPRIETARY AND CONFIDENTIAL
 THE INFORMATION CONTAINED IN THIS DRAWING IS THE SOLE PROPERTY OF UNIVERSITY OF IDAHO, ME DEPARTMENT. ANY REPRODUCTION IN PART OR AS A WHOLE WITHOUT THE WRITTEN PERMISSION OF UNIVERSITY OF IDAHO, ME DEPARTMENT IS PROHIBITED.

| | | | | | |
|--------------------------|--------------|--------------------------|-------------------------------|--------------------------------------|--------------|
| DIMENSIONS ARE IN INCHES | | Steel Material: | | StealthCat | |
| THIRD ANGLE PROJECTION | | | | | |
| DEFAULT TOLERANCES: | | DESCRIPTION: | | UNIVERSITY OF IDAHO ME DEPARTMENT | |
| LINEAR: | ANGULAR: | CHECKED BY: | DATE: | Part #: | QTY: 1 |
| X. ± .25 | X. ± 2 | Eric Buddrius | 4/14/2011 | Scale: 1:2 | SHEET 2 OF 8 |
| X.X ± .1 | X.X ± 1 | DRAWN BY: | DATE: | | |
| X.XX ± .01 | X.XX ± 0.30' | FILE NAME: Bottom spacer | CAO Application SolidWorks | | |
| X.XXX ± .002 | | | | | |



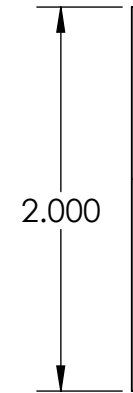
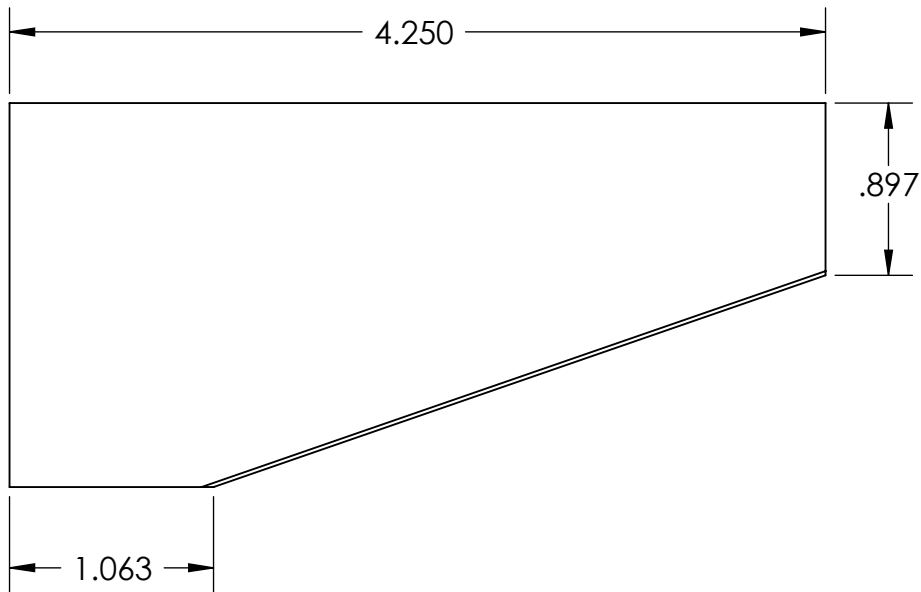
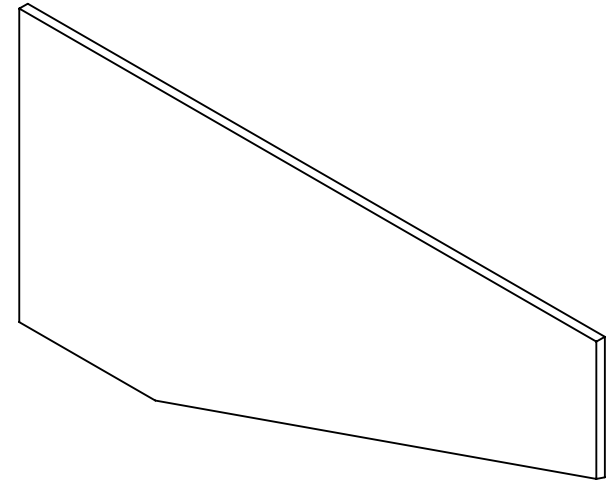
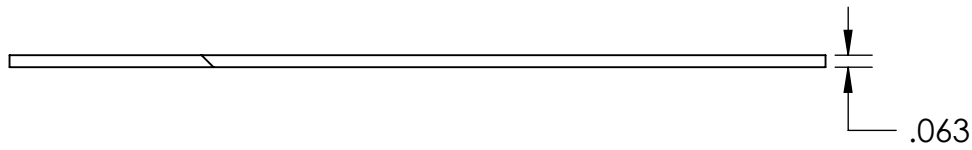
PROPRIETARY AND CONFIDENTIAL
 THE INFORMATION CONTAINED IN THIS DRAWING IS THE SOLE PROPERTY OF UNIVERSITY OF IDAHO, ME DEPARTMENT. ANY REPRODUCTION IN PART OR AS A WHOLE WITHOUT THE WRITTEN PERMISSION OF UNIVERSITY OF IDAHO, ME DEPARTMENT IS PROHIBITED.

| | | | | | |
|---|---|------------------------------|-------------------------------|--------------------------------------|--------------|
| DIMENSIONS ARE IN INCHES | | STEEL Material: | | StealthCat | |
| THIRD ANGLE PROJECTION | | | | | |
| DEFAULT TOLERANCES: | | BOTTOM 1 | | UNIVERSITY OF IDAHO ME DEPARTMENT | |
| LINEAR: X. ± .25 X.X ± .1 X.XX ± .01 X.XXX ± .002 | ANGULAR: X. ± 2 X.X ± 1 X.XX ± 0 30' | DESCRIPTION: | DATE: | Part #: | QTY: 1 |
| | | CHECKED BY: ERIC BUDDRIUS | 4/14/2011 | Scale: 1:2 | SHEET 3 OF 8 |
| | | DRAWN BY: | DATE: | | |
| | | FILE NAME: Bottom 1 | CAD Application SolidWorks | | |



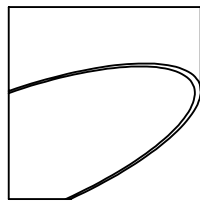
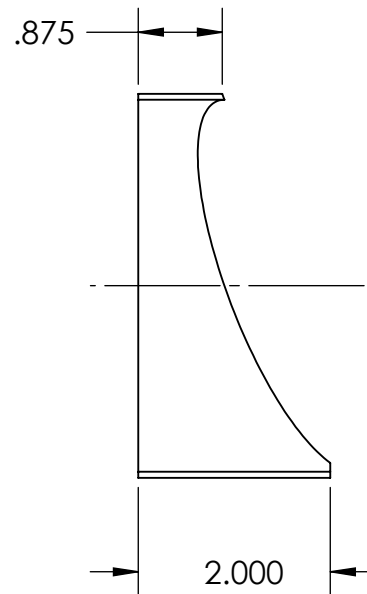
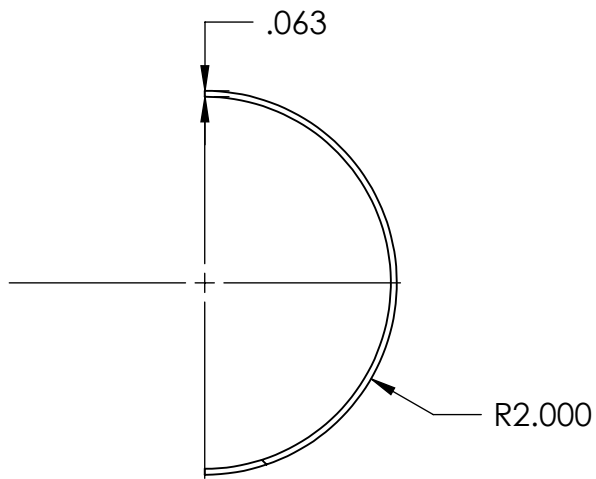
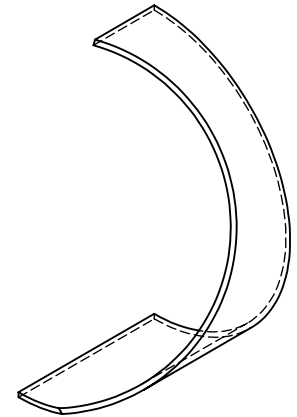
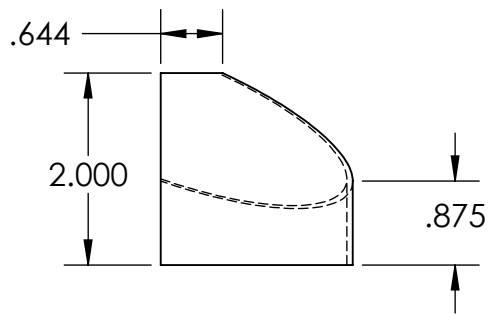
PROPRIETARY AND CONFIDENTIAL
 THE INFORMATION CONTAINED IN THIS DRAWING IS THE SOLE PROPERTY OF UNIVERSITY OF IDAHO, ME DEPARTMENT. ANY REPRODUCTION IN PART OR AS A WHOLE WITHOUT THE WRITTEN PERMISSION OF UNIVERSITY OF IDAHO, ME DEPARTMENT IS PROHIBITED.

| | | | | | |
|---|---|------------------------------|-------------------------------|--------------------------------------|--------------|
| DIMENSIONS ARE IN INCHES | | STEEL Material: | | StealthCat | |
| THIRD ANGLE PROJECTION | | | | | |
| DEFAULT TOLERANCES: | | DESCRIPTION: | | UNIVERSITY OF IDAHO ME DEPARTMENT | |
| LINEAR: X. ± .25 X.X ± .1 X.XX ± .01 X.XXX ± .002 | ANGULAR: X. ± 2 X.X ± 1 X.XX ± 0 30' | CHECKED BY: ERIC BUDDRIUS | DATE: 4/14/2011 | Part #: | QTY: 1 |
| | | FILE NAME: Bottom 2 | CAO Application SolidWorks | Scale: 2:3 | SHEET 4 OF 8 |



PROPRIETARY AND CONFIDENTIAL
 THE INFORMATION CONTAINED IN THIS DRAWING IS THE SOLE PROPERTY OF UNIVERSITY OF IDAHO, ME DEPARTMENT. ANY REPRODUCTION IN PART OR AS A WHOLE WITHOUT THE WRITTEN PERMISSION OF UNIVERSITY OF IDAHO, ME DEPARTMENT IS PROHIBITED.

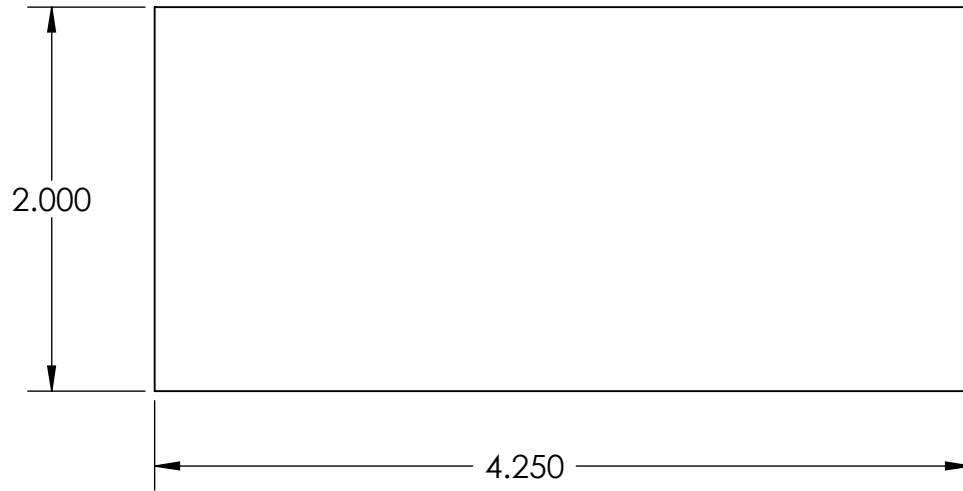
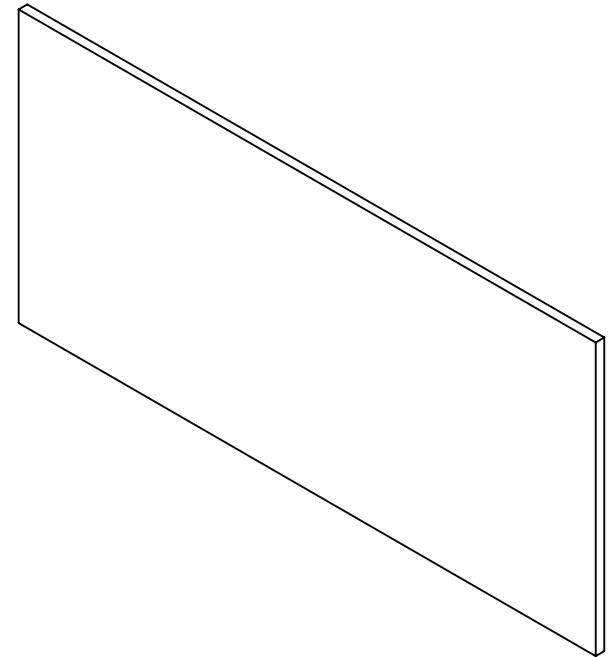
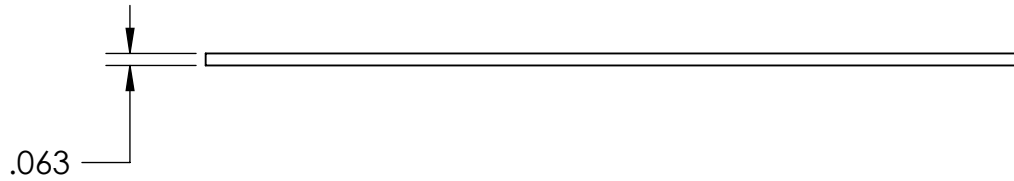
| | | | | | |
|---|---|------------------------------|-------------------------------|--------------------------------------|--------------|
| DIMENSIONS ARE IN INCHES | | STEEL Material: | | StealthCat | |
| THIRD ANGLE PROJECTION | | | | | |
| DEFAULT TOLERANCES: | | DESCRIPTION: | | UNIVERSITY OF IDAHO ME DEPARTMENT | |
| LINEAR: X. ± .25 X.X ± .1 X.XX ± .01 X.XXX ± .002 | ANGULAR: X. ± 2 X.X ± 1 X.XX ± 0.30' | CHECKED BY: ERIC BUDDRIUS | DATE: 4/14/2011 | Part #: | QTY: 1 |
| | | DRAWN BY: ERIC BUDDRIUS | DATE: 4/14/2011 | Scale: 1:1 | SHEET 5 OF 8 |
| | | FILE NAME: Bottom Band 1 | CAD Application SolidWorks | | |



NOTE: STOCK 2" X 4"OD PIPE
(TRIMMED TO FIT)

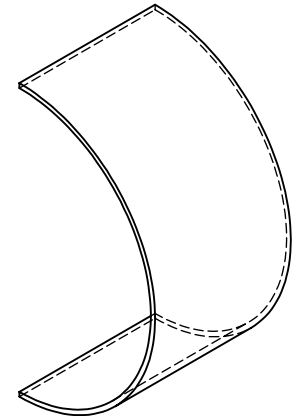
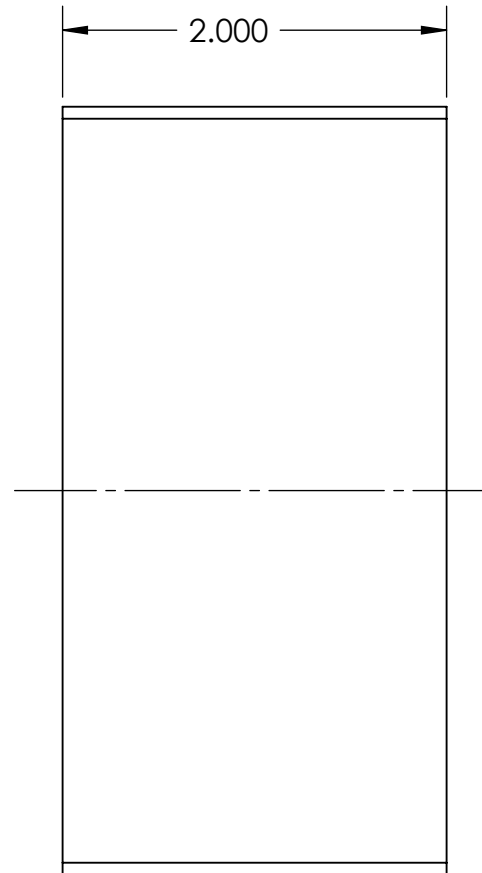
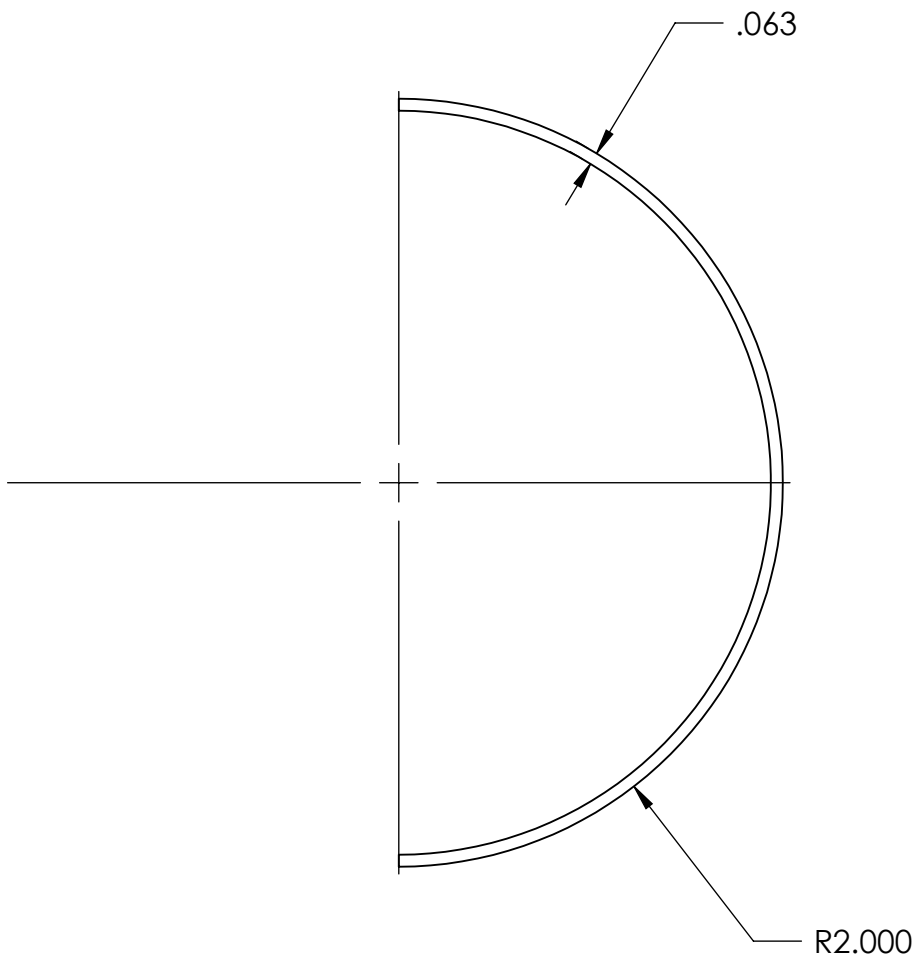
PROPRIETARY AND CONFIDENTIAL
THE INFORMATION CONTAINED IN THIS DRAWING IS THE SOLE PROPERTY OF UNIVERSITY OF IDAHO, ME DEPARTMENT. ANY REPRODUCTION IN PART OR AS A WHOLE WITHOUT THE WRITTEN PERMISSION OF UNIVERSITY OF IDAHO, ME DEPARTMENT IS PROHIBITED.

| | | | | | |
|---|---|------------------------------|-------------------------------|--------------------------------------|--------------|
| DIMENSIONS ARE IN INCHES | | STEEL Material: | | StealthCat | |
| THIRD ANGLE PROJECTION | | | | | |
| DEFAULT TOLERANCES: | | DESCRIPTION: | | UNIVERSITY OF IDAHO ME DEPARTMENT | |
| LINEAR: X. ± .25 X.X ± .1 X.XX ± .01 X.XXX ± .002 | ANGULAR: X. ± 2 X.X ± 1 X.XX ± 0.30' | CHECKED BY: ERIC BUDDRIUS | DATE: 4/14/2011 | Part #: | QTY: 1 |
| | | DRAWN BY: ERIC BUDDRIUS | DATE: 4/14/2011 | Scale: 1:2 | SHEET 6 OF 8 |
| | | FILE NAME: Bottom Band 2 | CAD Application SolidWorks | | |



PROPRIETARY AND CONFIDENTIAL
 THE INFORMATION CONTAINED IN THIS DRAWING IS THE SOLE PROPERTY OF UNIVERSITY OF IDAHO, ME DEPARTMENT. ANY REPRODUCTION IN PART OR AS A WHOLE WITHOUT THE WRITTEN PERMISSION OF UNIVERSITY OF IDAHO, ME DEPARTMENT IS PROHIBITED.

| | | | | | |
|--------------------------|--------------|--------------------------|-------------------------------|--------------------------------------|--|
| DIMENSIONS ARE IN INCHES | | STEEL Material: | | StealthCat | |
| THIRD ANGLE PROJECTION | | | | | |
| DEFAULT TOLERANCES: | | DESCRIPTION: | | UNIVERSITY OF IDAHO ME DEPARTMENT | |
| LINEAR: | ANGULAR: | CHECKED BY: | DATE: | Part #: | |
| X. ± .25 | X. ± 2 | ERIC BUDDRIUS | 4/14/2011 | QTY: 1 | |
| X.X ± .1 | X.X ± 1 | DRAWN BY: | DATE: | Scale: 1:1 | |
| X.XX ± .01 | X.XX ± 0.30' | FILE NAME: Bottom Band 3 | CAD Application SolidWorks | SHEET 7 OF 8 | |
| X.XXX ± .002 | | | | | |



SCALE 1:2

NOTE: STOCK 2" X 4"OD PIPE
(CUT IN HALF LENGTHWISE)

PROPRIETARY AND CONFIDENTIAL
THE INFORMATION CONTAINED IN THIS DRAWING IS THE SOLE PROPERTY OF UNIVERSITY OF IDAHO, ME DEPARTMENT. ANY REPRODUCTION IN PART OR AS A WHOLE WITHOUT THE WRITTEN PERMISSION OF UNIVERSITY OF IDAHO, ME DEPARTMENT IS PROHIBITED.

| | | | | | |
|--------------------------------------|--|--------------------------|--|-------------------------------|--|
| DIMENSIONS ARE IN INCHES | | STEEL Material: | | StealthCat | |
| THIRD ANGLE PROJECTION | | | | | |
| UNIVERSITY OF IDAHO ME DEPARTMENT | | DESCRIPTION: | | Part #: | |
| DATE: | | CHECKED BY: | | DATE: | |
| DATE: | | DRAWN BY: | | DATE: | |
| DATE: | | FILE NAME: Bottom Band 4 | | CAD Application SolidWorks | |
| QTY: 1 | | Scale: 1:1 | | SHEET 8 OF 8 | |

DEFAULT TOLERANCES:
LINEAR:
X. ± .25
X.X ± .1
X.XX ± .01
X.XXX ± .002
ANGULAR:
X. ± 2
X.X ± 1
X.XX ± 0 30'